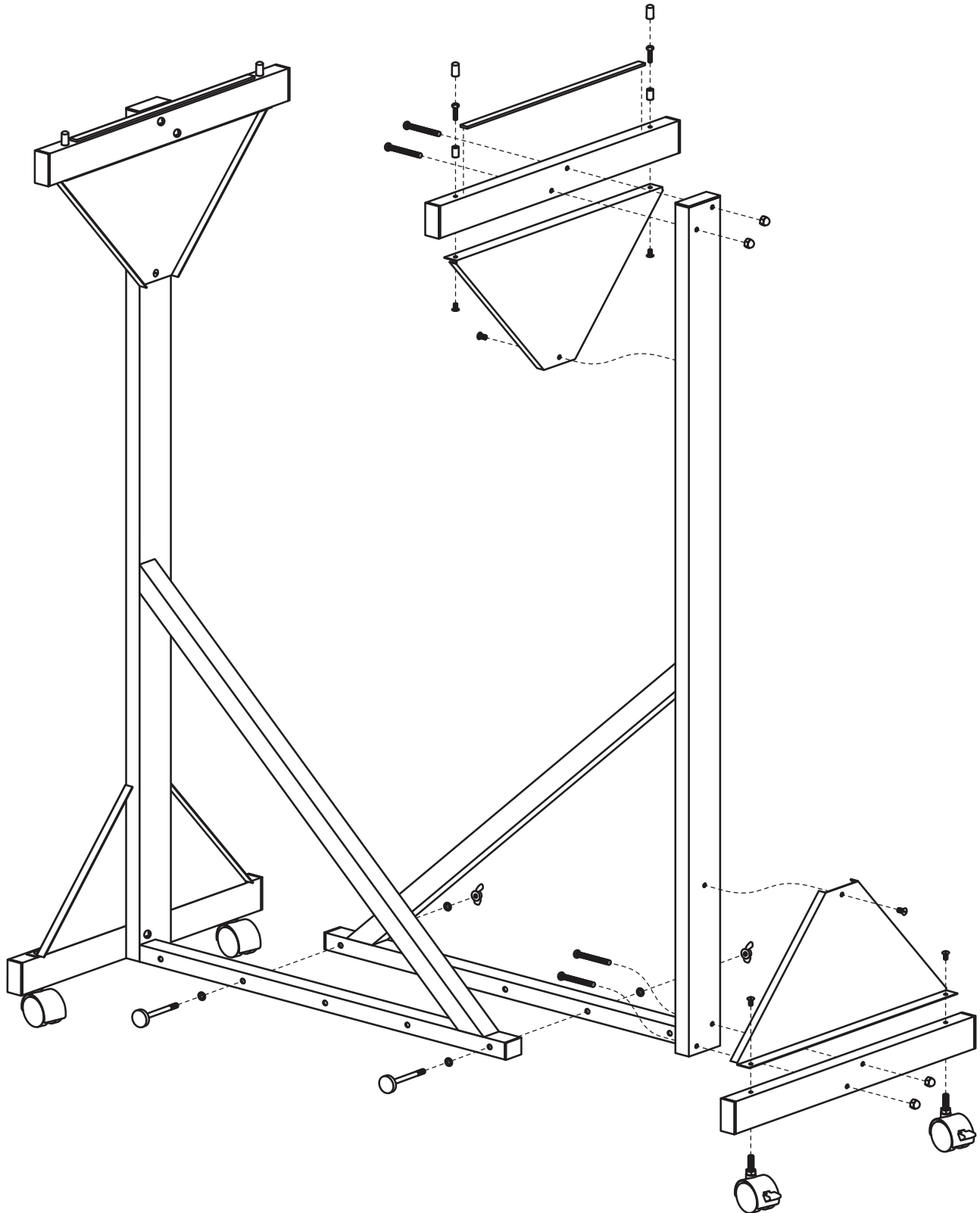


Mobile Plan Center

Assembly Instructions

for MODEL 615

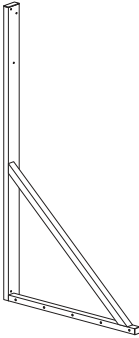
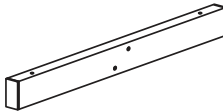
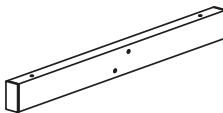
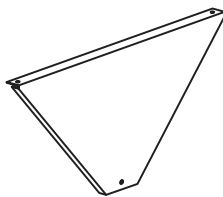
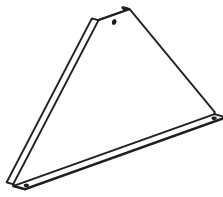


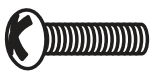





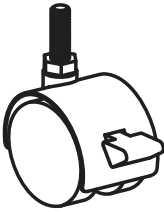
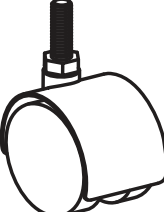

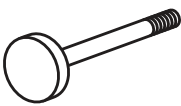

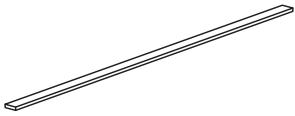


Mobile Plan Center

Assembly Instructions

for MODEL **615**

PARTS LIST

Item	Description	QTY.
A	 L-frame	2
B	 Upper Crossbar	2
C	 Lower Crossbar (with bigger holes for casters)	2
D	 Upper Panel all extensions facing same way	2
E	 Lower Panel	2
F	 Acorn Nut	8
G	 Long Screw	8
H	 Medium Screw	4
I	 Short Screw	12

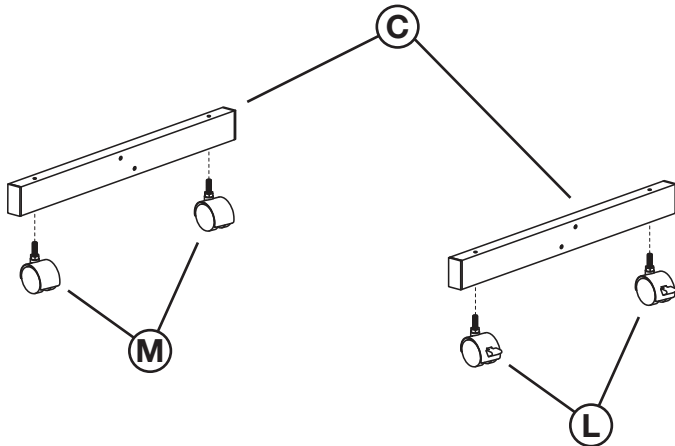
Item	Description	QTY.
J	 Black Plastic Cap	4
K	 Plastic Spacer	4
L	 Locking Caster	2
M	 Caster	2
N	 Wing Nut	2
O	 Knob Bolt	5
P	 Washer	10
Q	 Black Plastic Strip	2
R	Cross Screwdriver	1
S	Wrench	1
T	 Cap Plug 1x2"	10
U	 Cap Plug 1x1"	2

Mobile Plan Center

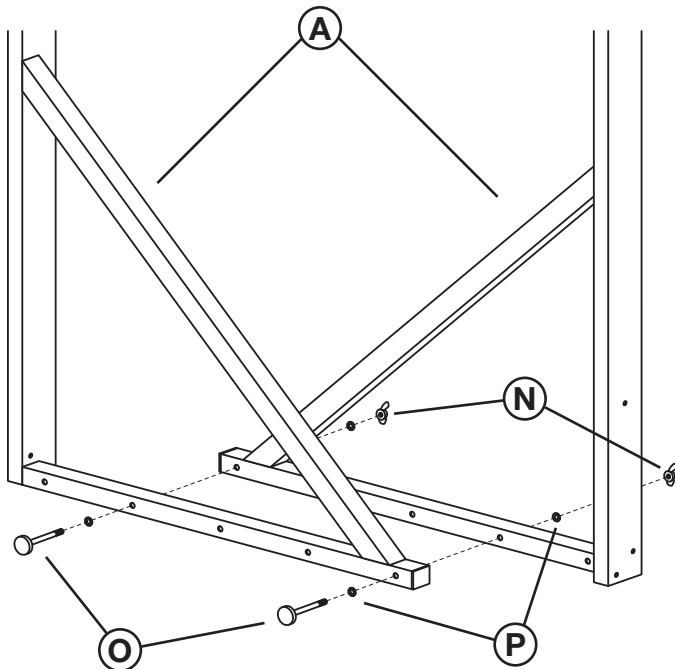
Assembly Instructions

for MODEL 615

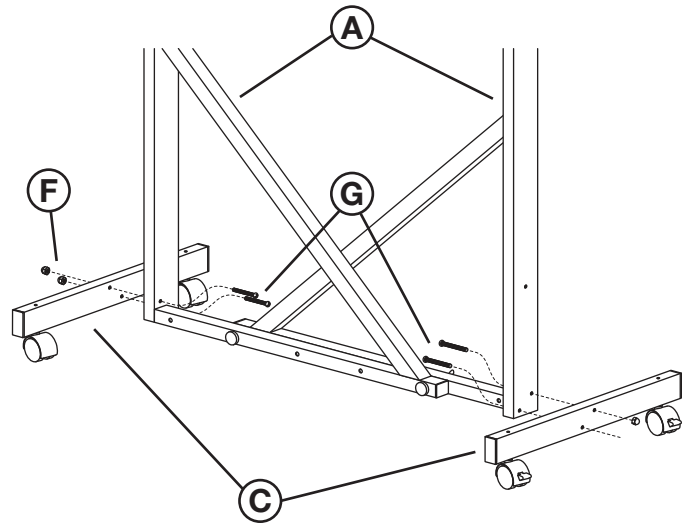
1. Insert casters (Part L&M) into Lower Crossbars (part C – the ones with bigger holes for casters). Attach both locking casters to same crossbar.



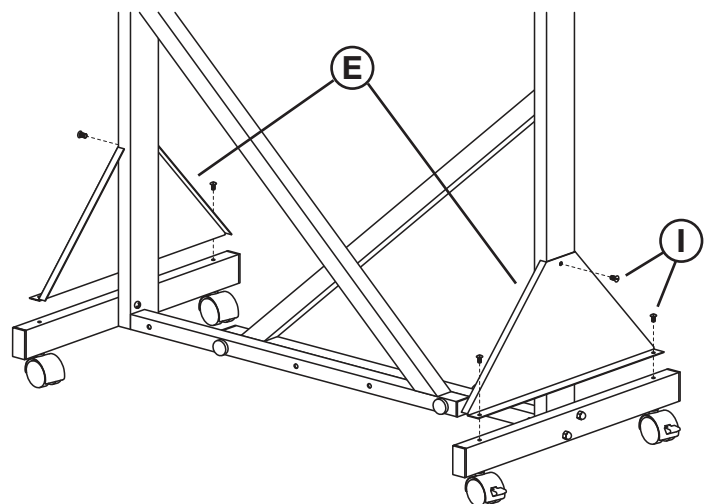
2. Attach L Frames (Part A) together. Flat surfaces of frames face outward. Adjust to paper size, inserting knob bolts (part O) into appropriate holes. Use washers (part P) and wing nuts (part N) according to picture.



3. Attach lower crossbars (part C) to L Frames (Part A) using Long Screw (Part G) and Acorn Nut (part F). Set screws from inside out.



4. Place lower panels (Part E) onto lower crossbars securing with short screws (Part I). Screw onto crossbars and onto L-Frame.

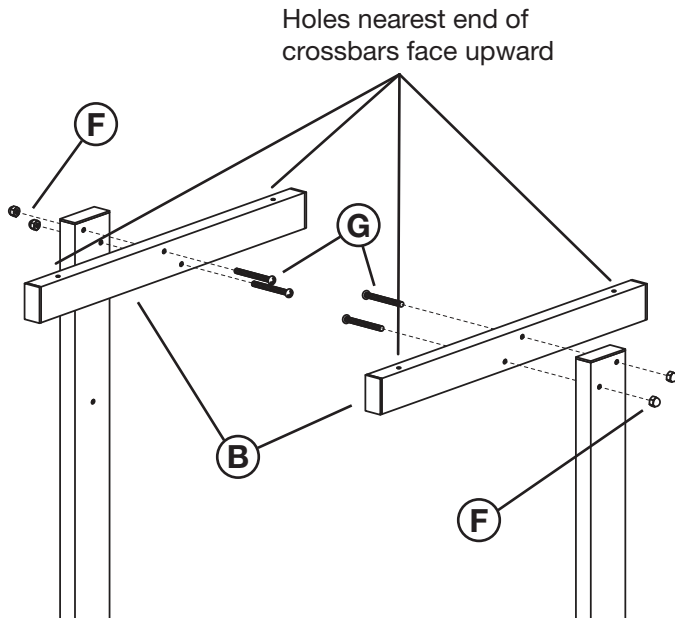


Mobile Plan Center

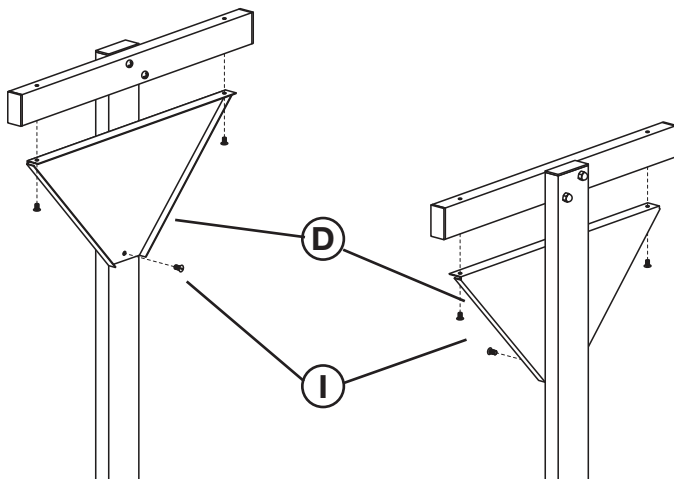
Assembly Instructions

for MODEL 615

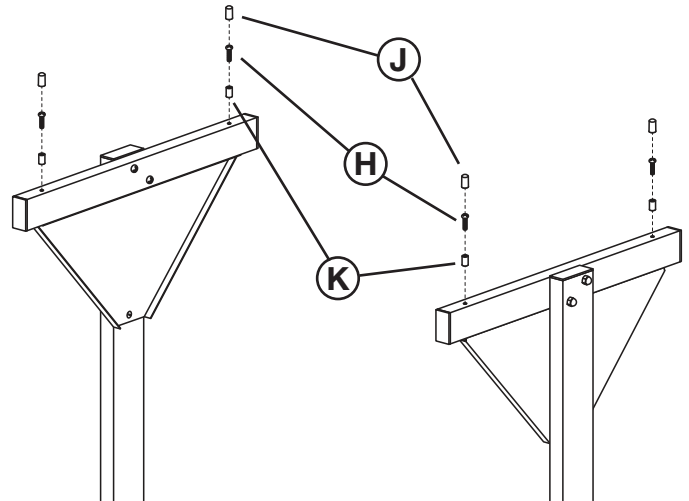
- 5.** Attach upper crossbar (Part B) to the inside top of L-Frames using long screws (Part G) and Acorn Nut (Part F). Set screws from inside out.



- 6.** Attach upper panels (part D) to inside of upper crossbars using short screws (Part I). Screw onto upper crossbar and L Frames.



- 7.** Place plastic spacers (part K) onto holes of top crossbars. Insert medium screw (part H) into plastic spacers and tighten. Cover with plastic cap (part J).



- 8.** Stick black plastic strip (Part Q) onto upper crossbars. Position the strip along the INSIDE top edge of crossbar. Note: Strip must be even with the edge for unit to work properly.

