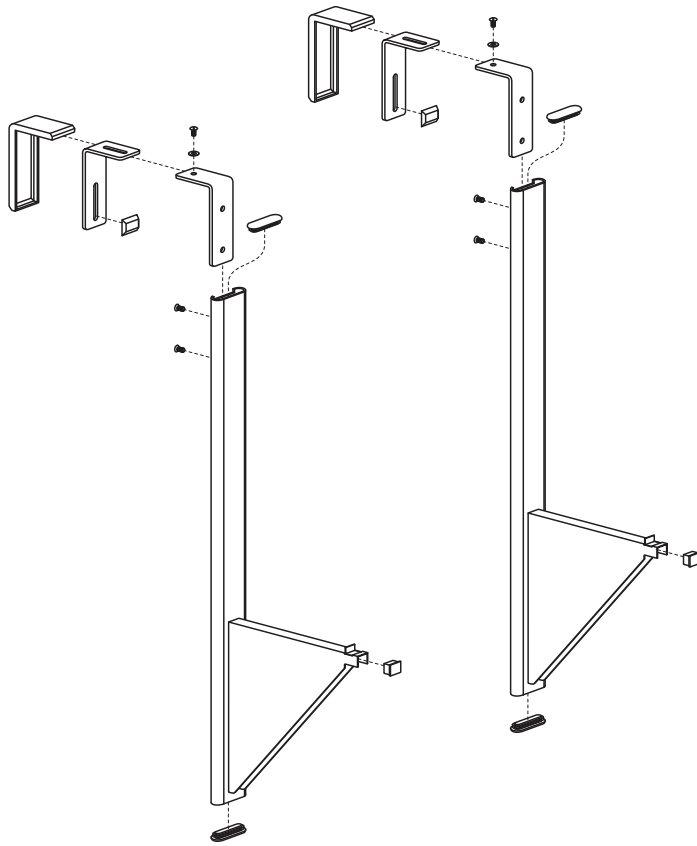


Drop/Lift Cubicle Wall Rack

Assembly Instructions

for MODEL 618



PARTS LIST

Item	Description	QTY.
A	Clamp Hanger Post	2

PARTS LIST

Item	Description	QTY.
B	Fixed Hanger	2
C	Ajustable Hanger	2
D	Hanger End Cap	2
E	Post Cap	4
F	Bumper	2
G	Channel Cap	2
H	Flat Head Screw	4
I	Round Head Screw	2
J	Washer	2
K	Screwdriver	1

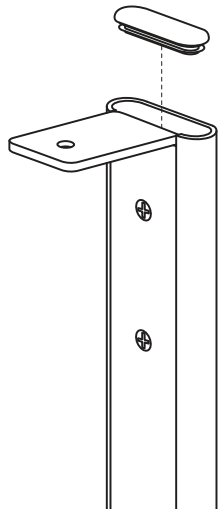
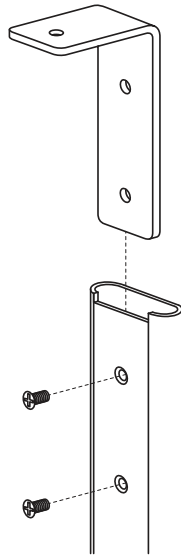
Tools required for assembly: **Phillips screwdriver**

Drop/Lift Cubicle Wall Rack

Assembly Instructions

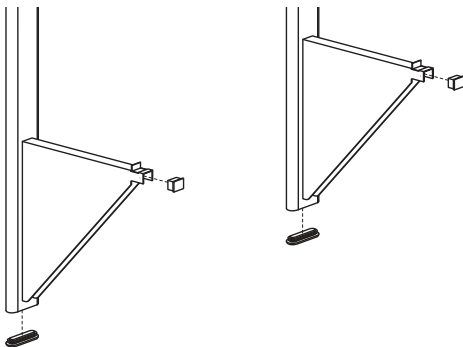
for MODEL 618

- 1.** Slide Fixed Hanger (part B) into Clamp Hanger Post (Part A). Use Flat head screws (part H) to tighten. (x2)

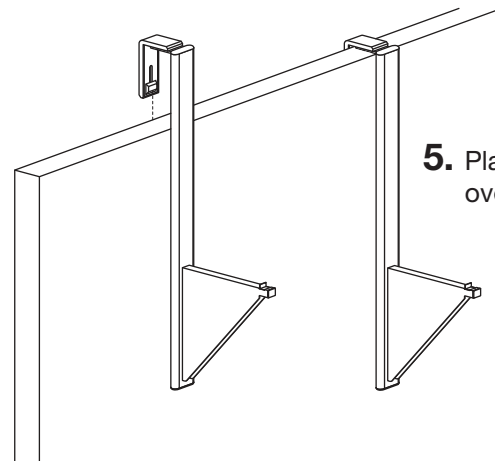
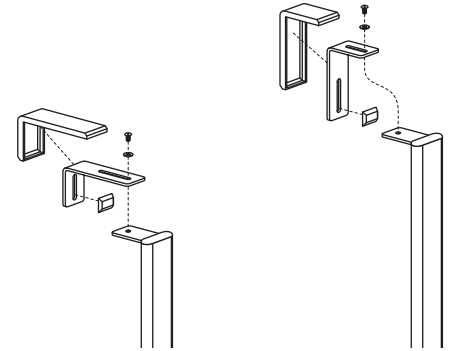


- 2.** Insert Post Cap (part E) into tops of clamp hanger post (part A). (x2)

- 3.** Insert Post Cap (part E) into bottom of Clamp Hanger Post (part A) (x2). Insert Channel caps (part G) into extensions of clamp hanger posts. (x2)



- 4.** Screw adjustable Hanger (part C) onto the fixed hangers (x2) using the Round Head Screw (part I) and washer (part J) to tighten. Stick Bumper (part F) onto inside bottom of adjustable hanger. Cover adjustable hanger with hanger end cap (part D). Adjustable hanger can be adjusted from 1.5" to 3" (3.25" without bumper). From 1 1/2" - 2 5/16" when the shorter end is on top, and from 2 1/4" - 3" when longer end is on top.



- 5.** Place wall rack over cubicle wall.

- 6.** Adjust the distance between the two racks to clamp size.

