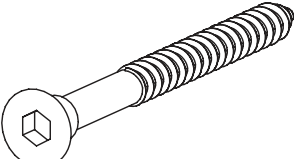
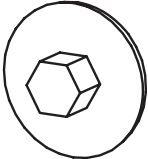

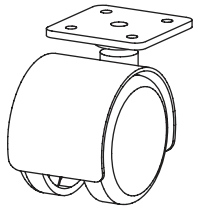



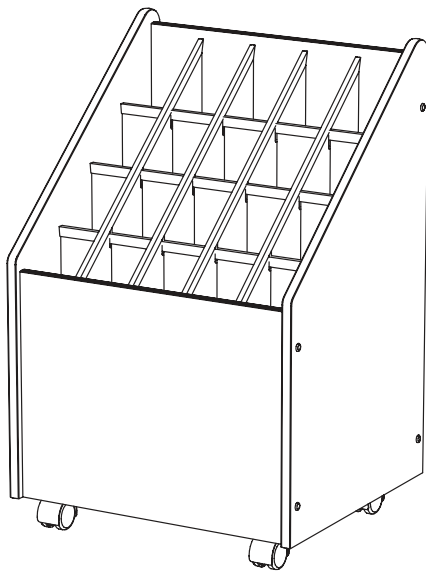
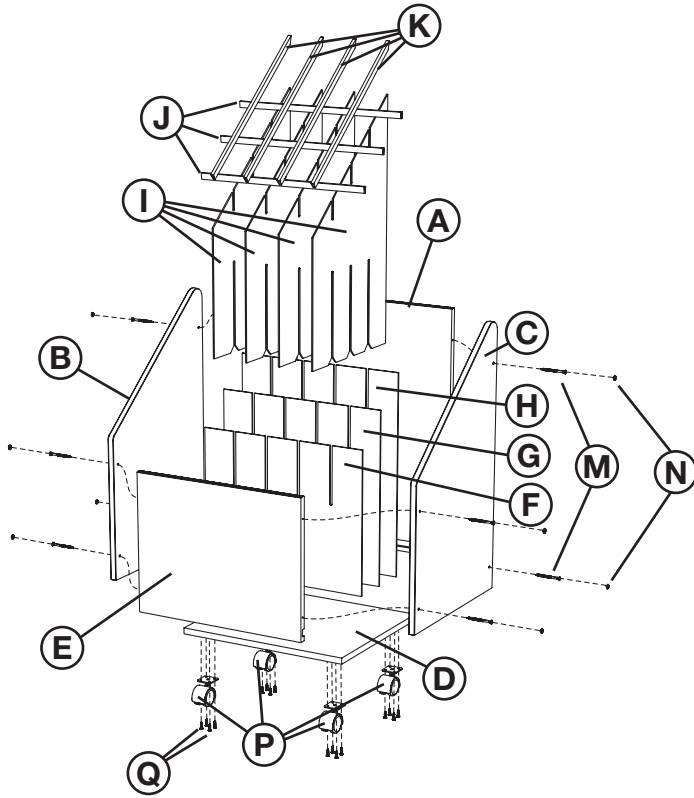
Mobile Wood Roll File 20 Comp.

Assembly Instructions

for MODEL 624

PARTS LIST

Item	Description	QTY.
A	Back Panel	1
B	Left Side Panel	1
C	Right Side Panel	1
D	Bottom Panel	1
E	Front Panel	1
F	Rectangular Partition Small	1
G	Rectangular Partition Medium	1
H	Rectangular Partition Large	1
I	Triangular Partition	4
J	Open Channel	3
K	Closed Channel	4
L	Hardware Pack	1
M	 Long Screw	8
N	 Screw Cover	8
O	 Allen Wrench	1
P	 Caster	4
Q	 Short Screw	16



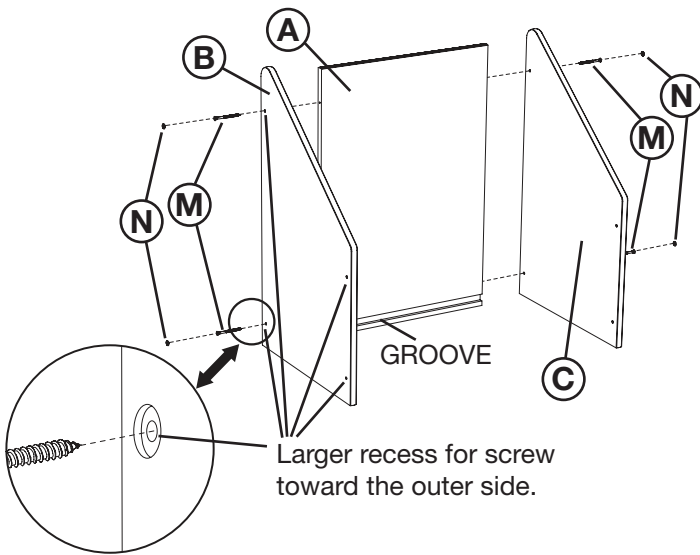
Tools required for assembly: **Hammer, Allen Wrench** (included), **Phillips screwdriver**

Mobile Wood Roll File 20 Comp.

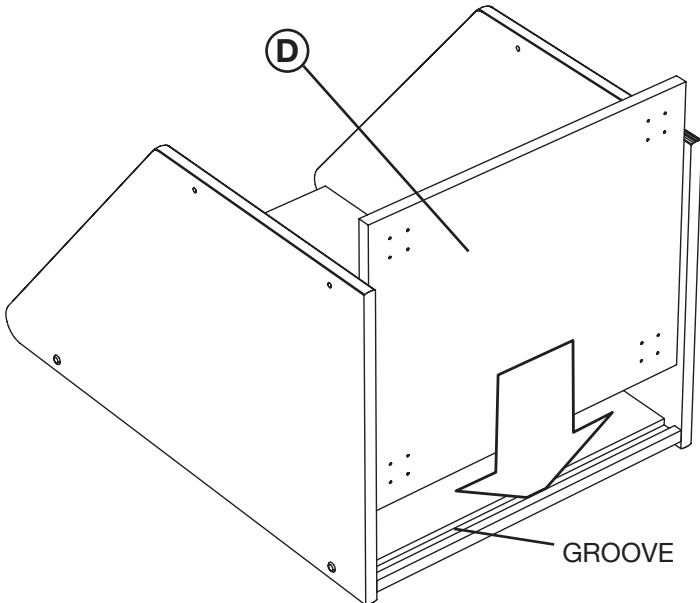
Assembly Instructions

for MODEL 624

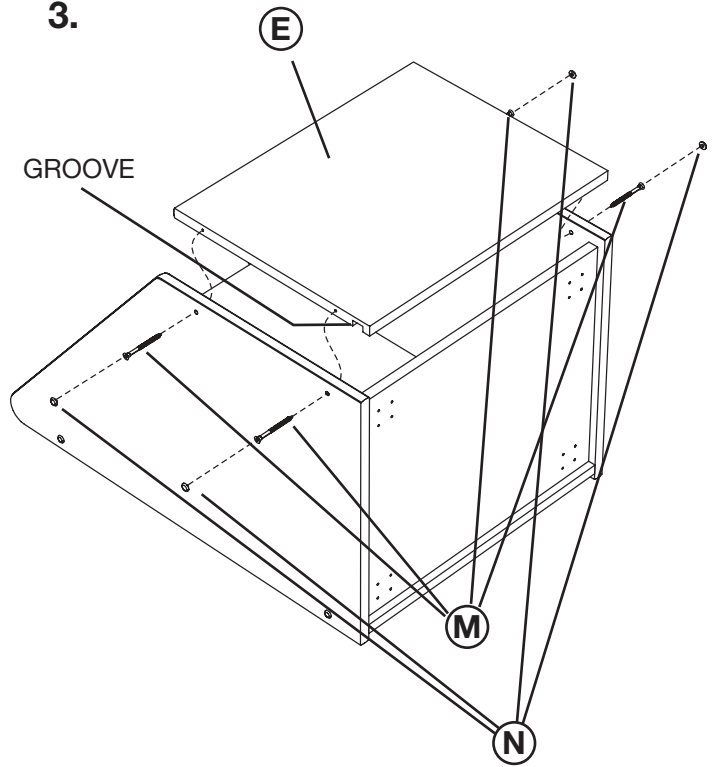
1.



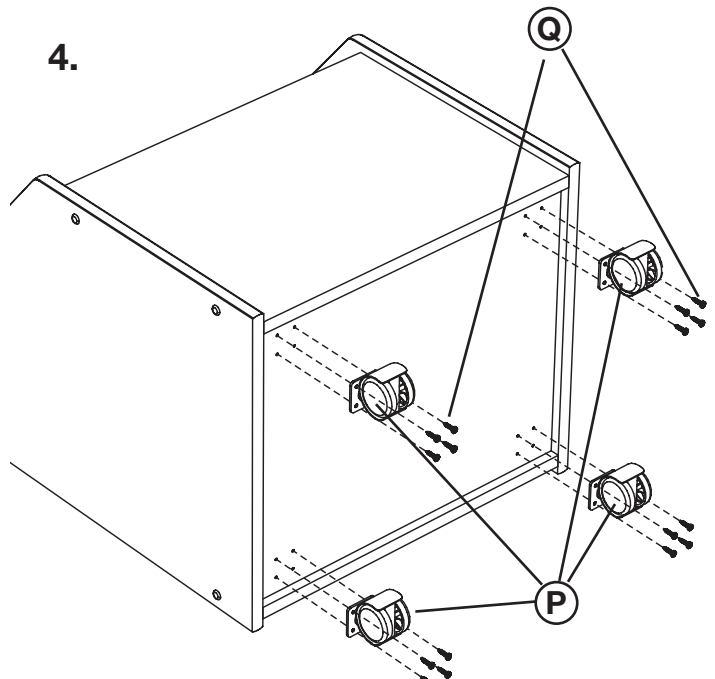
2.



3.



4.

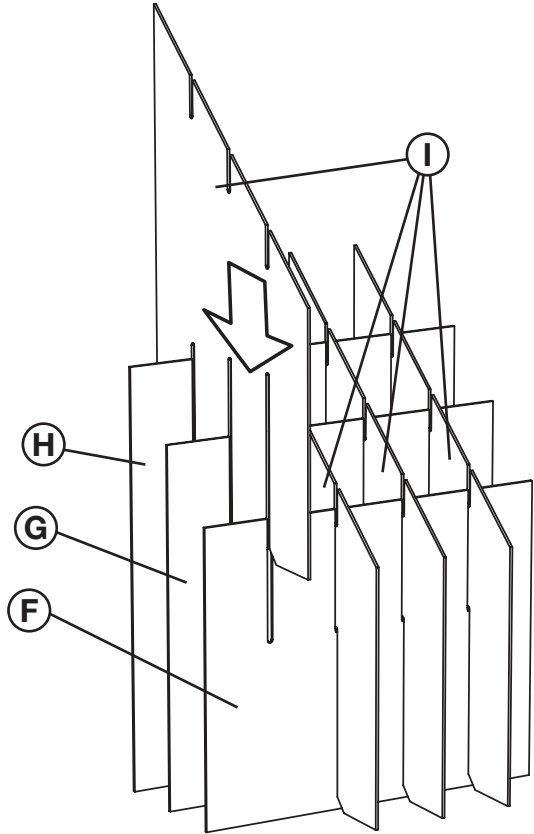


Mobile Wood Roll File 20 Comp.

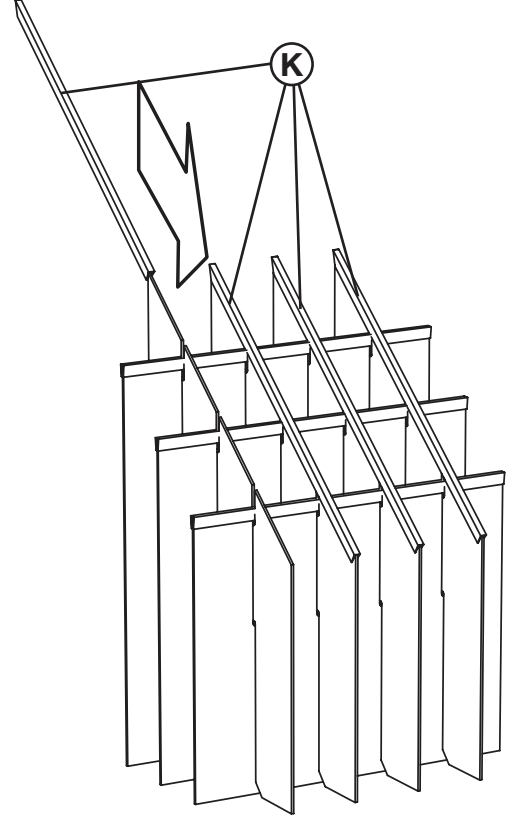
Assembly Instructions

for MODEL 624

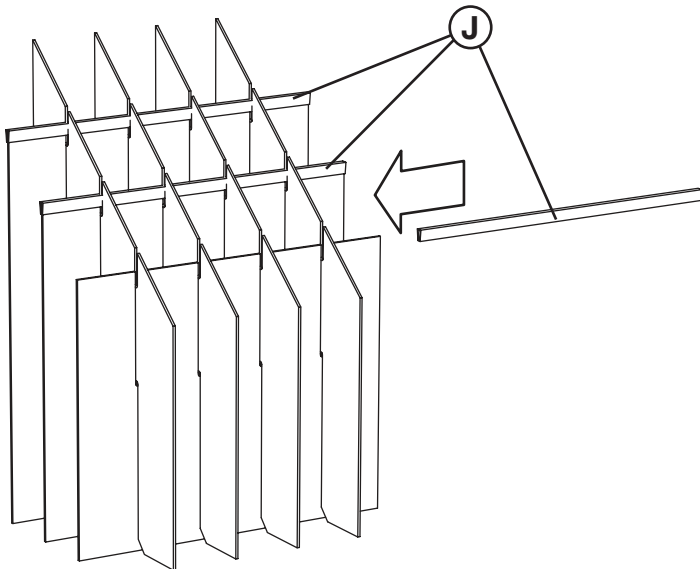
5.



7.



6.



8.

