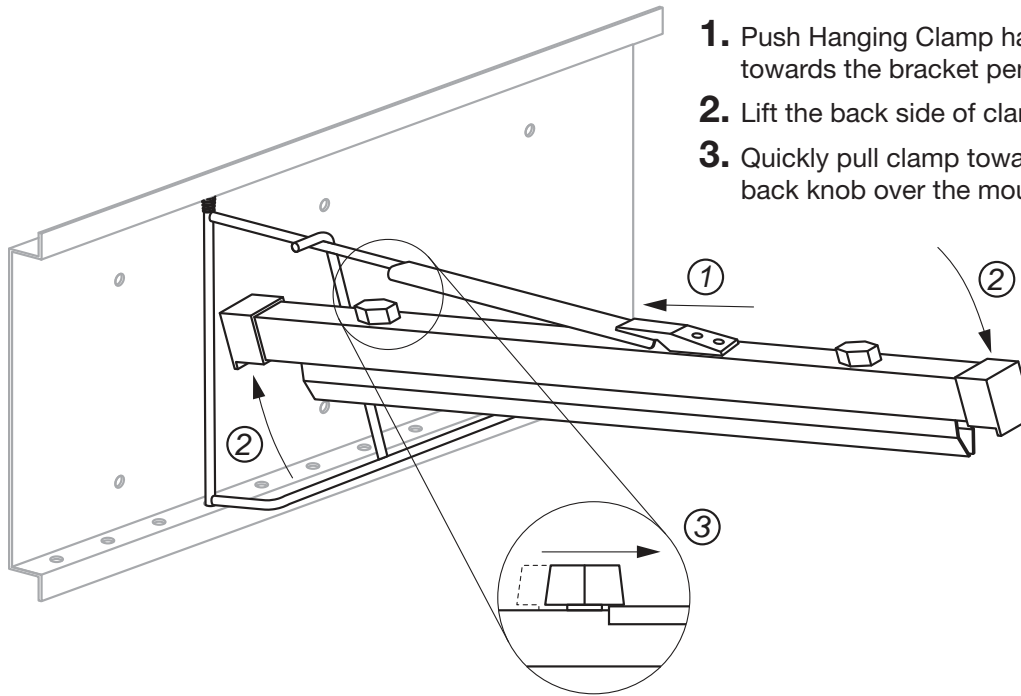


File Hanging Clamps

Instructions

for MODELS 6016, 6026, 6036, 6046 & 6056

Attaching Clamps to Brackets



1. Push Hanging Clamp hanger over mounting plate towards the bracket penal at a 15o angle.
2. Lift the back side of clamp until engages mounting plate
3. Quickly pull clamp towards the front and it will lock the back knob over the mounting plate

How to set the blueprint files and drawings in the clamps

1. Loosen screw knobs on top of clamp turning it counter clockwise and insert files.
2. Hands tighten knobs until files are secure. Do not use pliers or wrench, it may cause damages.

