

# SPECIFICATIONS

## TURTLE FILES



**FIREPROOF INSULATION** is 100% gypsum, reinforced by a 1" by 2" lattice made of 14-gauge galvanized welded steel wire, providing complete peace of mind from fire, impact, or explosion.

**FIELD REPLACEABLE STEEL PANELS** can easily be replaced in the event that any panel is damaged.

**FINISH** is an environmentally-friendly electrostatic powder coating applied to all sides, including bottom. The parchment color finish is scratch-resistant, providing a lifetime quality appearance.

**DRAWER BODIES** are built with high sides for use with hanging folders – no additional frames are needed.

**DRAWER SUSPENSIONS** are maintenance free.

**DRAWER LOCKS** are 4-pin key locks.

**DRAWER PULLS** are recessed for best space utilization.

**INSULATION BETWEEN ALL DRAWERS** makes each drawer a separate insulated container.

**WATER RESISTANCE** means files are designed to prevent water damage resulting from sprinklers and fire hoses.

**2-POSITION DRAWER CATCH** allows access to certain drawers while others remain locked.

**DRAWER HEADS** are formed of welded steel and filled with fireproof insulation, and are field replaceable.

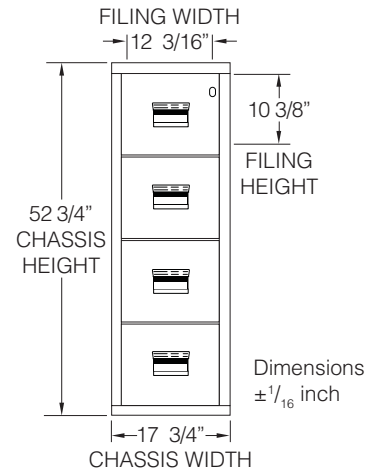
**UNDERWRITERS LABORATORIES® (UL®) FIRE & IMPACT RATING** on all file cabinets. These models carry the 1-Hour Class 350 Fire with Impact UL label. Tests include 1 hour exterior fire exposure at 1700°F, a 2000°F explosion test, and a 30 foot drop to test impact integrity.

**OPTIONAL UPGRADES** available include casters.

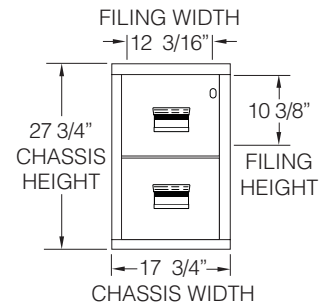
**FIREKING'S LIMITED LIFETIME WARRANTY** on all mechanical or operable parts. Associated labor costs will be paid by FireKing for two years from the date of purchase. If your FireKing file sustains any damage while protecting documents from a fire, FireKing will replace the file free of charge.



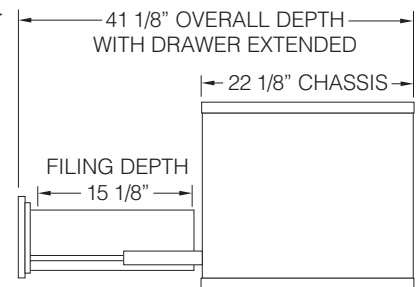
**MODEL 4R1822-C:**  
435 lbs (avg. ship wt.)



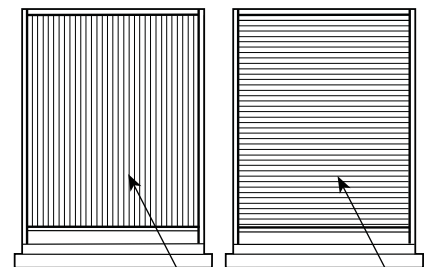
**MODEL 2R1822-C:**  
251 lbs (avg. ship wt.)



### SIDE VIEW:



### Filing Arrangements:



LEGAL FILING  
SIDE TO SIDE

LETTER FILING  
FRONT TO BACK

REV 11/19/07



**American Filing Solutions**  
P.O. Box 891719, Temecula CA 92589  
Tel: 1-951-694-4150 | 1-888-891-1970  
Fax: 1-951-506-7717 | 1-888-891-9970  
Email: sales@FilingToday.com  
www.FilingToday.com