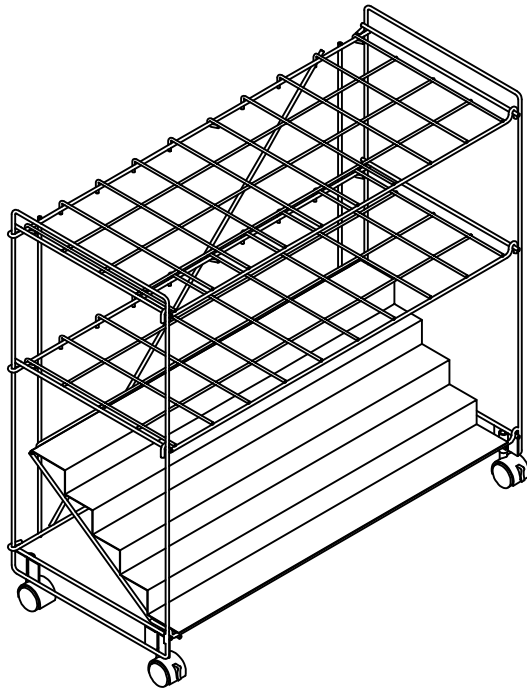




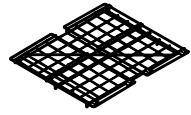

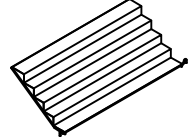

Wire Roll Cart-36 Slot
Model No. RF36



ASSEMBLY INSTRUCTIONS

CALL 1-800-822-8037 FOR ASSISTANCE

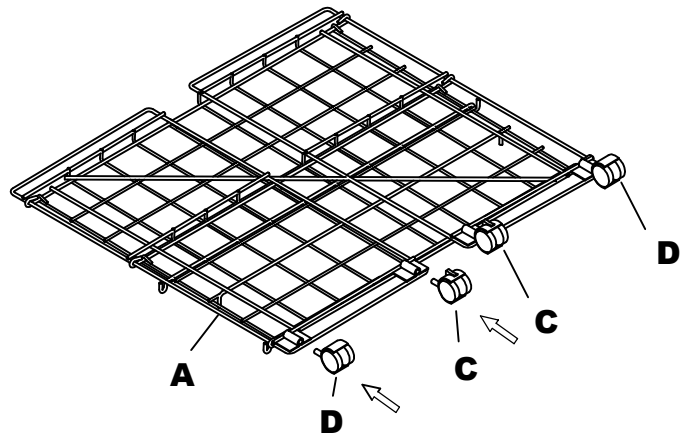
PARTS LIST

Name	Part	Qty.	Name	Part	Qty.
A	 Wire Rack	1	C	 Casters-Locking	2
B	 Base	1	D	 Casters-Non Locking	2



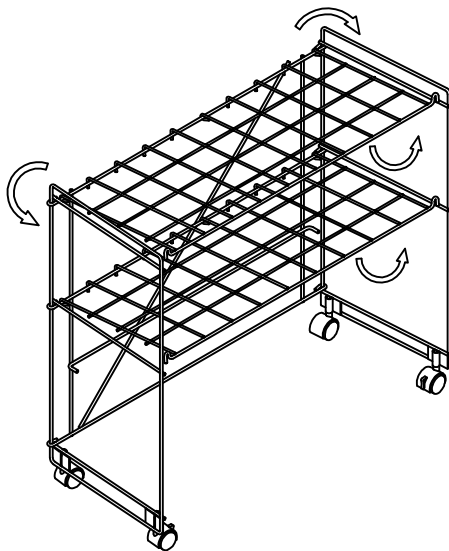
American Filing Solutions
P.O. Box 891719, Temecula CA 92589
Tel: 1-951-694-4150 | 1-888-891-1970
Fax: 1-951-506-7717 | 1-888-891-9970
Email: sales@FilingToday.com
www.FilingToday.com

1



Push casters into sockets on wire rack until they snap into place.

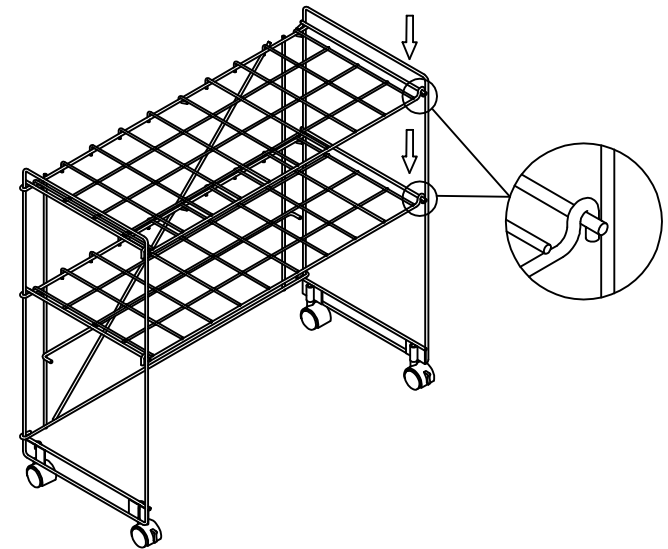
2



Stand up wire rack onto casters. Rotate side panels 270 degrees.

2

3



Hang the two shelves on the side panel support bars.

Back Support

American Filing Solutions
 P.O. Box 891719, Temecula CA 92589
 Tel: 1-951-506-4150 | 1-888-891-1970
 Fax: 1-951-506-7717 | 1-888-891-9970
 Email: sales@FilingToday.com
 www.FilingToday.com

B

Place base with top resting on back supports and front hooks around the support bars.

3