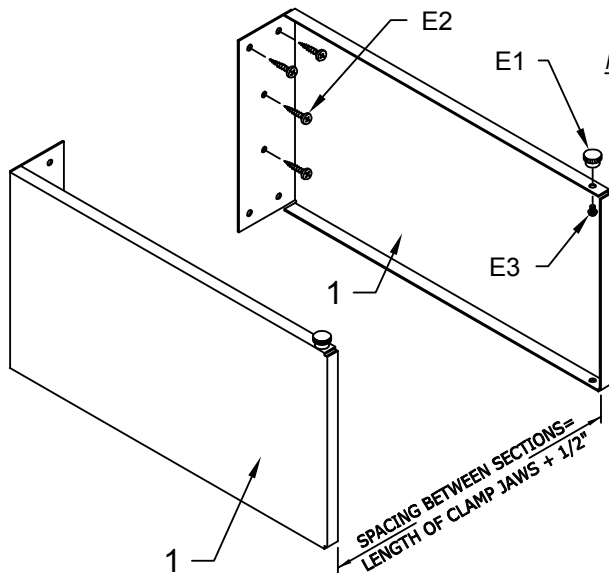


9319 WALL RACK



NOTE: Please count and inspect all pieces before disposing of any carton or packing materials.

COMPONENTS: When ordering components, specific color and/or size information may be required. Contact a Mayline Customer Service Representative. 1-800-822-8037

REF.#	QTY.	DESCRIPTION	PART No.
1	1	WALL BRACKET	B2444**

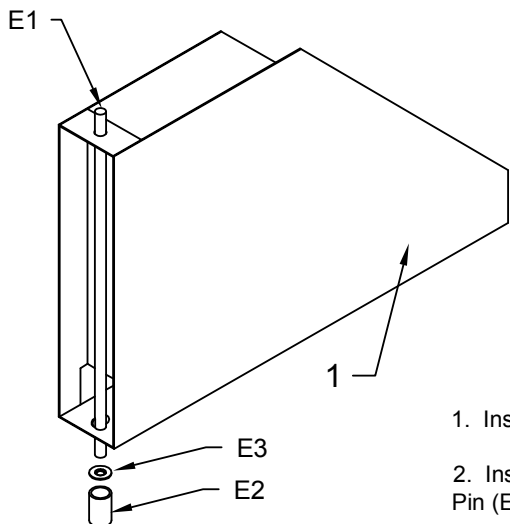
HARDWARE BAG (PART No. A1049) *for individual item, order that part number

REF.#	QTY.	DESCRIPTION	PART No.
E1	2	KNOB	K22*
E2	8	#10 X 1 SCREW	X11*
E3	2	#6-32 X 3/16 SCREW	X350*

1. Fasten each Bracket (1) to wall using four #10 x 1" Screws (E2) on each section. **Spacing between sections to be length of clamp jaws plus 1/2"**. If possible, screws sections into wall studs. If unable to do so, suggest using hollow wall screw type anchors.

2. Attach Screw (E3) and Knob (E1) to end of each section. The knob serves as a stop to keep clamps from slipping off the rack.

9390 - 9391 DATA FILES



NOTE: Please count and inspect all pieces before disposing of any carton or packing materials.

COMPONENTS: When ordering components, specific color and/or size information may be required. Contact a Mayline Customer Service Representative. 1-800-822-8037

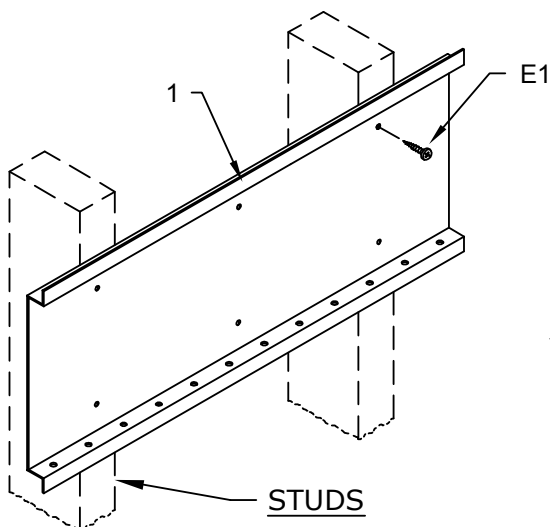
REF.#	QTY.	DESCRIPTION	PART No.
1	1	DATA FILE ASSEMBLY	A1042**

HARDWARE BAG (PART No. A1047) *for individual item, order that part number

REF.#	QTY.	DESCRIPTION	PART No.
E1	12	RACK PIN	B1046*
E2	1	PUSHER TUBE	B20*
E3	12	PUSH NUT	T46*

1. Insert Pin (E1) upward through upper hole of Data File Assembly (1).
2. Insert bottom end of Pin (E1) through lower hole of Data File (1) until swedged portion of Pin (E1) rests on the lower flange.
3. Holding Rod (1) firmly in place, place Push Nut (E3) on lower end of rod until it rests firmly against underside of the flange, locking the pin in place. Use Tube (E2) to push nut in place.

9309 WALL RACK (Bracket Type)



NOTE: Please count and inspect all pieces before disposing of any carton or packing materials.

COMPONENTS: When ordering components, specific color and/or size information may be required. Contact a Mayline Customer Service Representative. 1-800-822-8037

REF.#	QTY.	DESCRIPTION	PART No.
1	1	RACK	B3286**

HARDWARE BAG (PART No. A1048) *for individual item, order that part number

REF.#	QTY.	DESCRIPTION	PART No.
E1	6	#10 X 1 SCREW	X12*

1. Fasten Rack (1) to wall using six #10 x 1" Screws (E1). Locate and fasten to wall studs if possible. If unable to do so, suggest using hollow wall screws type anchors.

(2)

