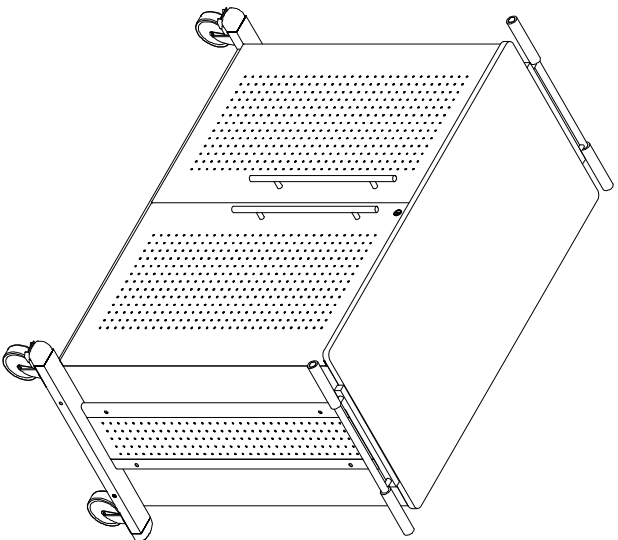


KWIKFILE®

Cart, Laptop
 Model No. LC1010



ASSEMBLY INSTRUCTIONS
CALL 1-800-822-8037 FOR ASSISTANCE

P/N **LC1010** REV 04 10/8/08

PARTS LIST

Name	Part	Qty.	Name	Part	Qty.
A	LC1010A Top	1	F1	LC1010F1 Right Door	1
B1	XC1010B1 Left Panel	1	F2	LC1010F2 Left Door	1
B2	XC1010B2 Right Panel	1	G	LC1010G Metal Back Panel	1
C	LC1010C Wood Back Panel	2	H	LC1010H Bottom Panel	1
D	XC1010D Leg	2	I	LC1010I Adjustable Shelf	7
E	Door Retainer HB	2	J2	XC1010J2 Door Handle	2

Items with HB are in the hardware box.
 *For Individual Items; Order By Part Number.

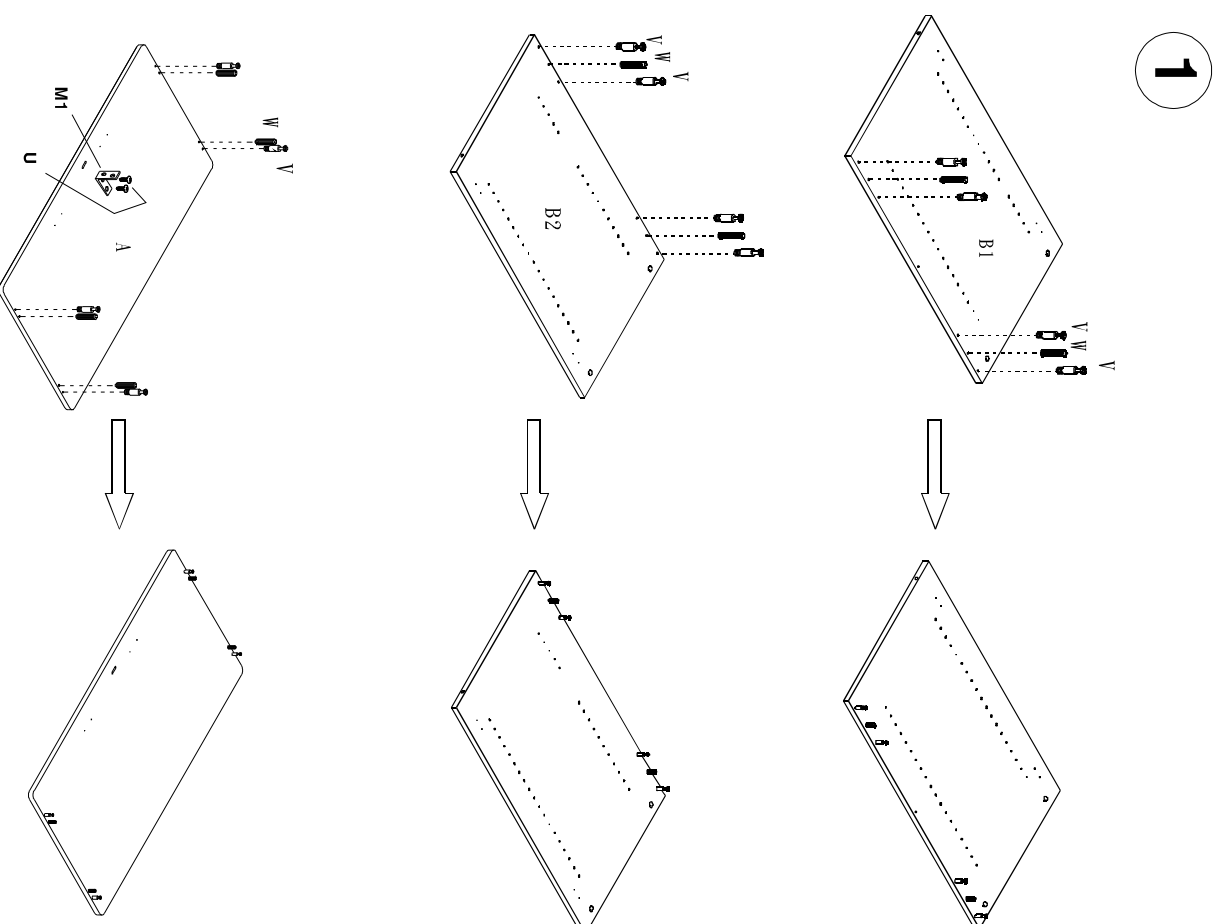
PARTS LIST

Name	Part	Qty.
K	LC1010K Support Bar	2
L	LC1010L Power Strip	2
M1	1 1/2" x 1 1/2" x 5/8" Angle	1
M2	LC1010M Power Cord Holder	6
N	XC1010N Door Hinge	4
O1	XC1010O1 Locking Caster	2
O2	XC1010O2 Non Locking Caster	2
P	Shelf Pin	29
Q	1/4 x 75mm	5
S	1/4 x 10mm	25

Name	Part	Qty.
T	M4 x 10mm	19
U	M4 x 15mm	31
V	Cam Post	13
W	Wood Dowel	9
X	Cam Lock	13
Y	Hex Wrench	1
Z	XC1010Z-Leg Cap	4
AA	1/4+20 x 2" Flat HD	9
AB	1/4" x 1" Fender Washer	9
AC	1/4-20 Lock Nut	9
AD	M11	1

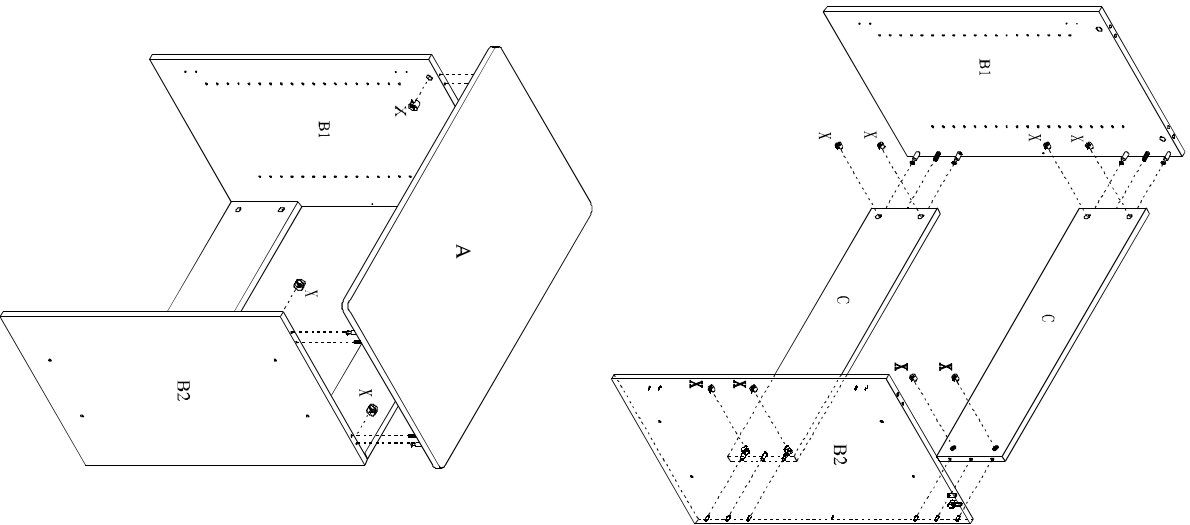
Items with HB are in the hardware box.

2

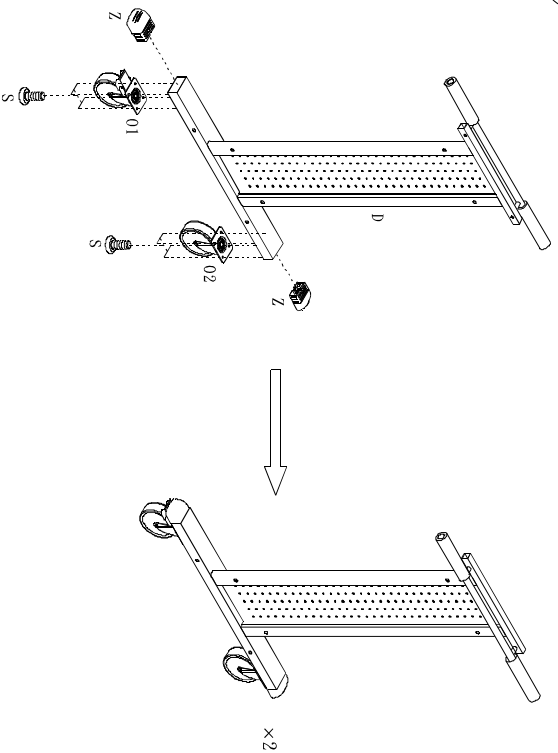


3

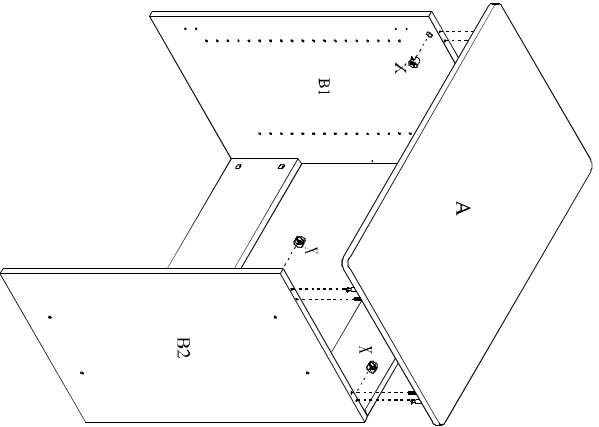
2



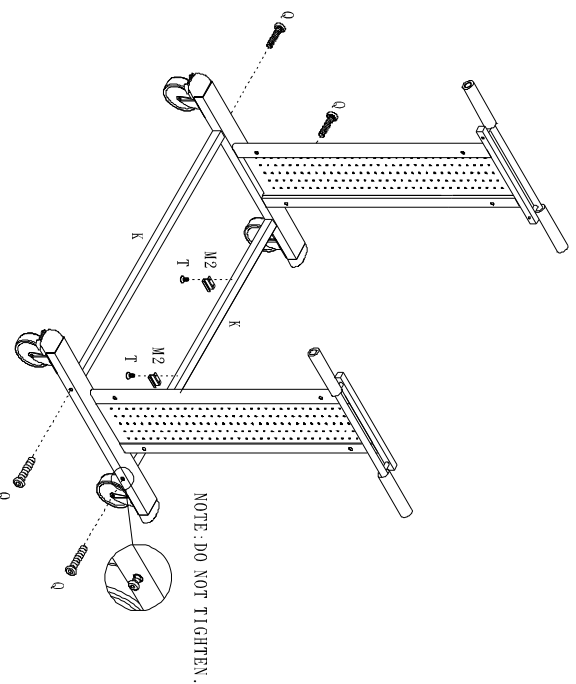
3



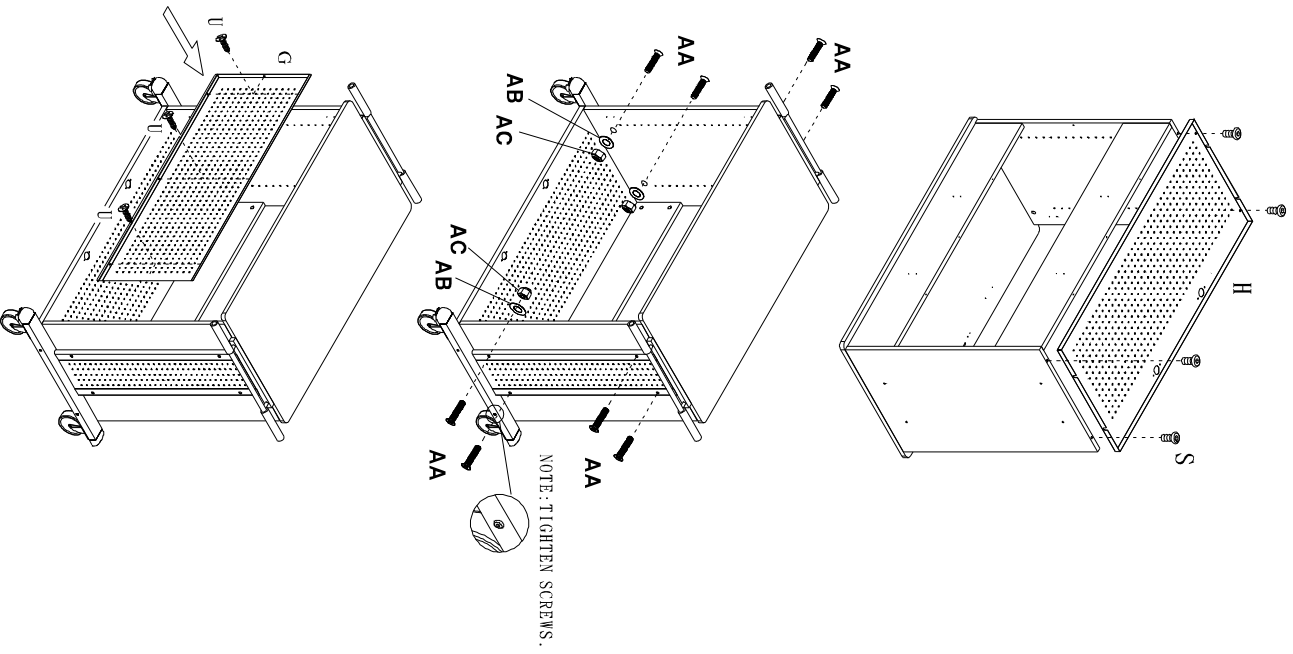
4



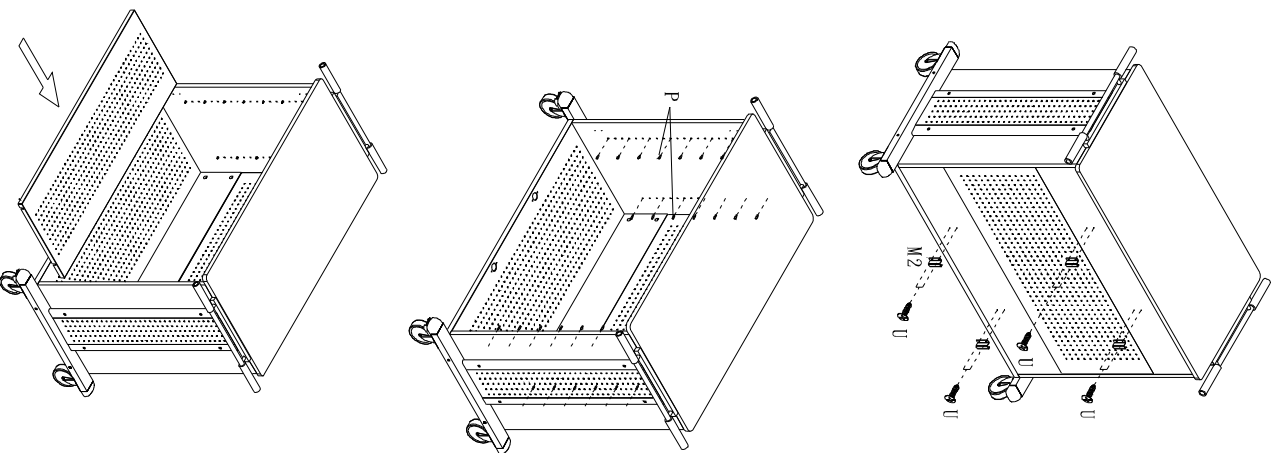
5



4



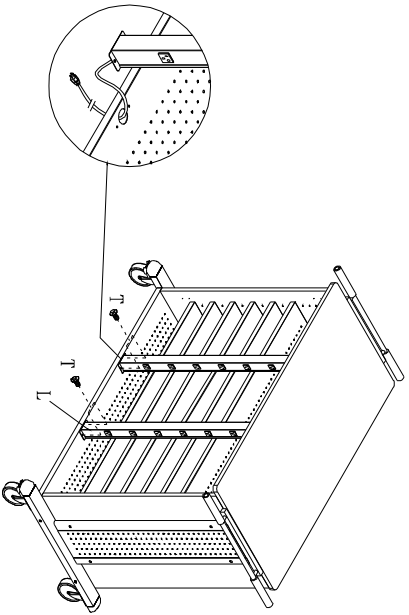
5



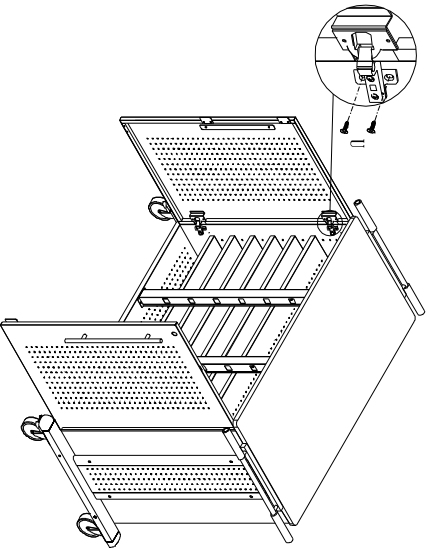
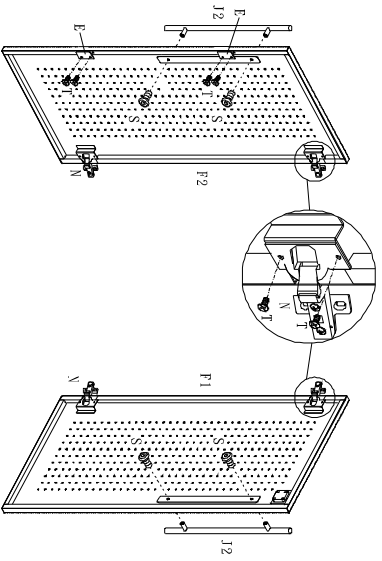
6

7

6



NOTE: DO NOT TIGHTEN.



8