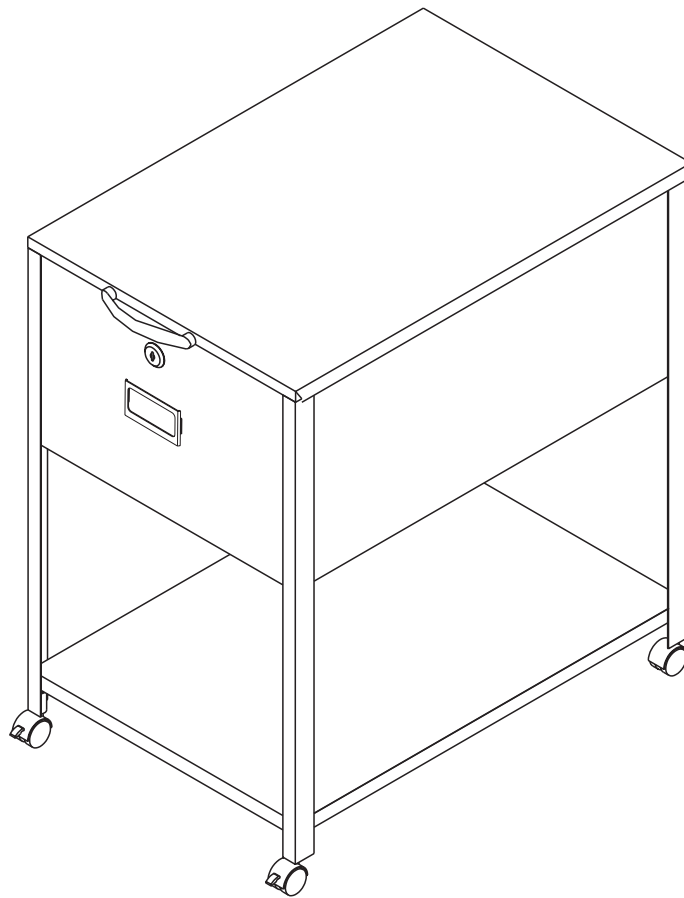




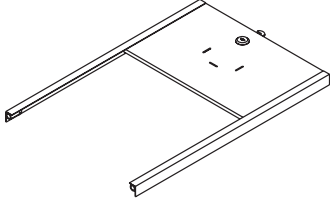
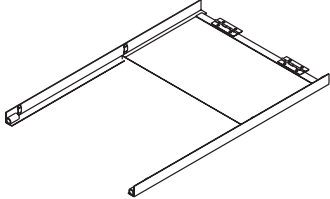
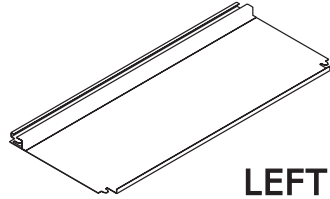
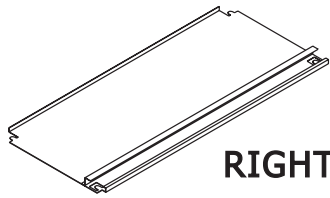
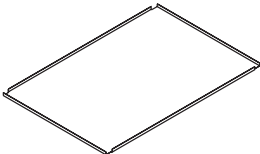
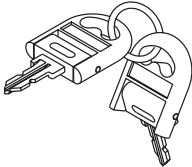
Model No. 9P610&9P611

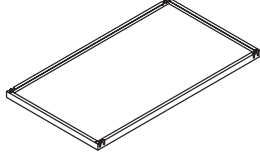
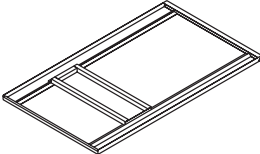
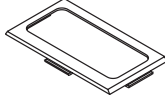
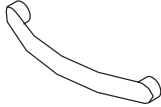
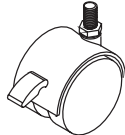

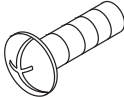
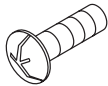






MOBILIZER W/LID LETTER&LEGAL

ASSEMBLY INSTRUCTIONS

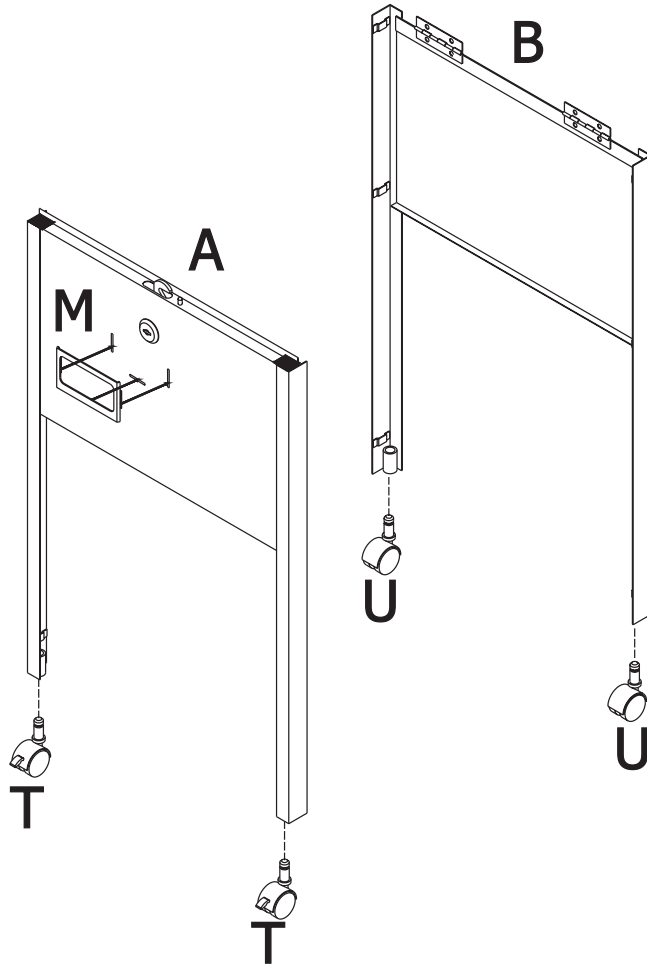
PARTS LIST

Name	Part	Qty.
A		1
B		1
C	 LEFT	1
D	 RIGHT	1
E		1
Z		1

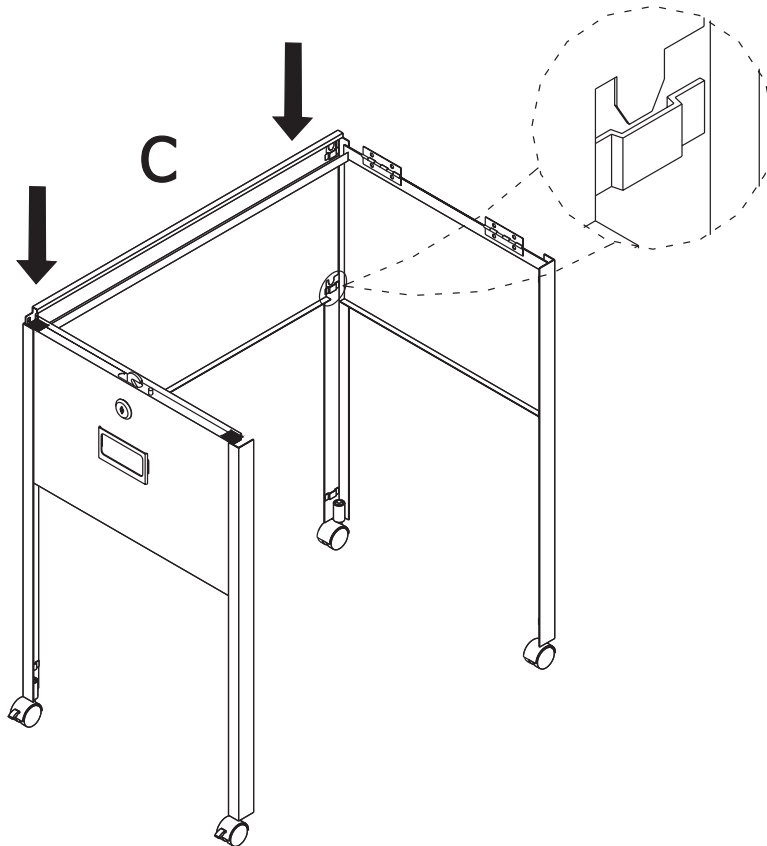
Name	Part	Qty.
F		1
G		1
M		1
P		1
T		2
U		2
R		5
S		3

	M4 5	
	3/16" 7	

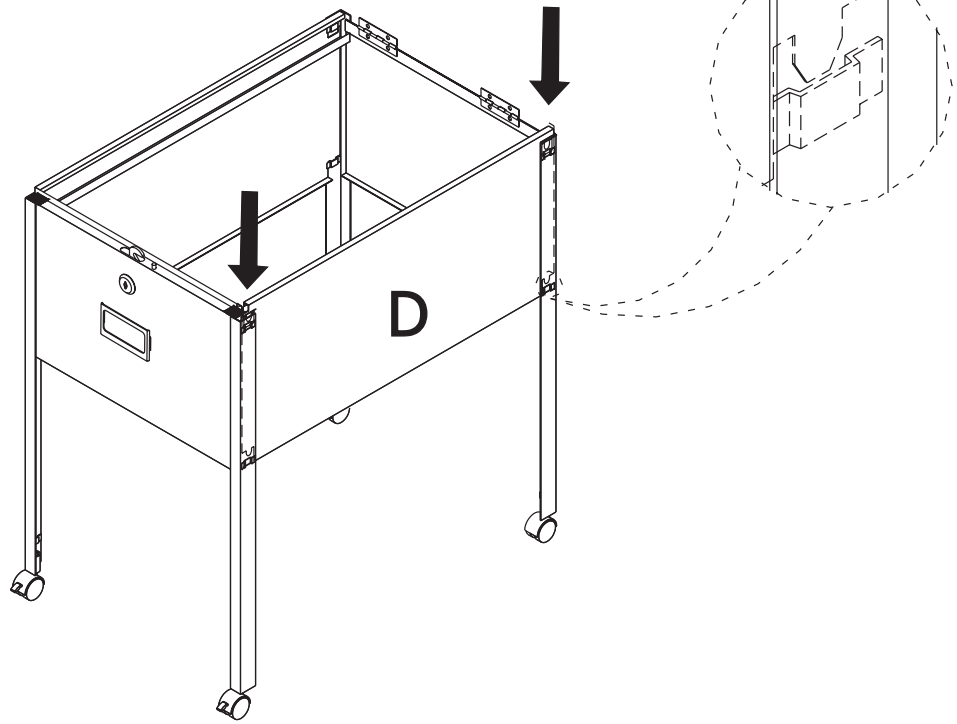
1



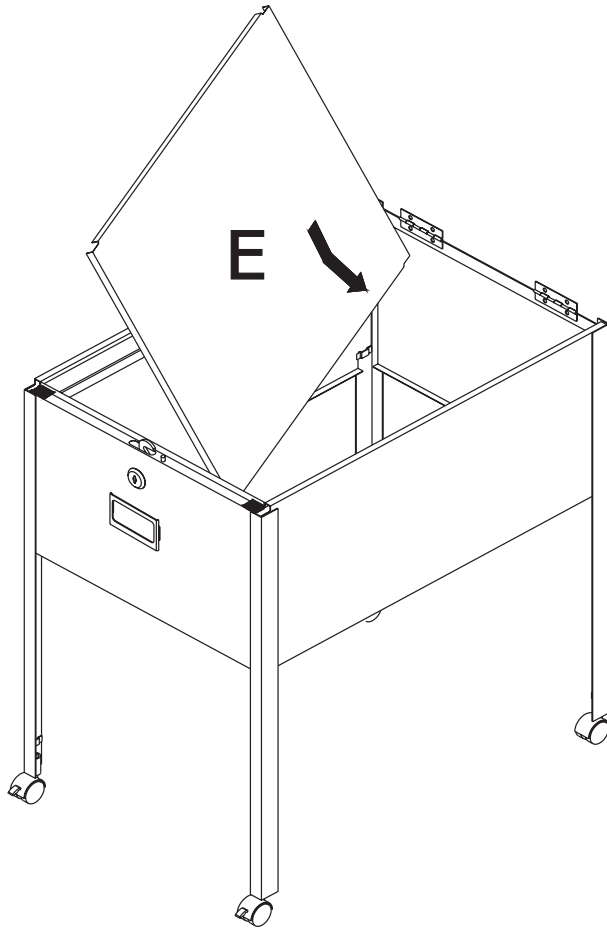
2



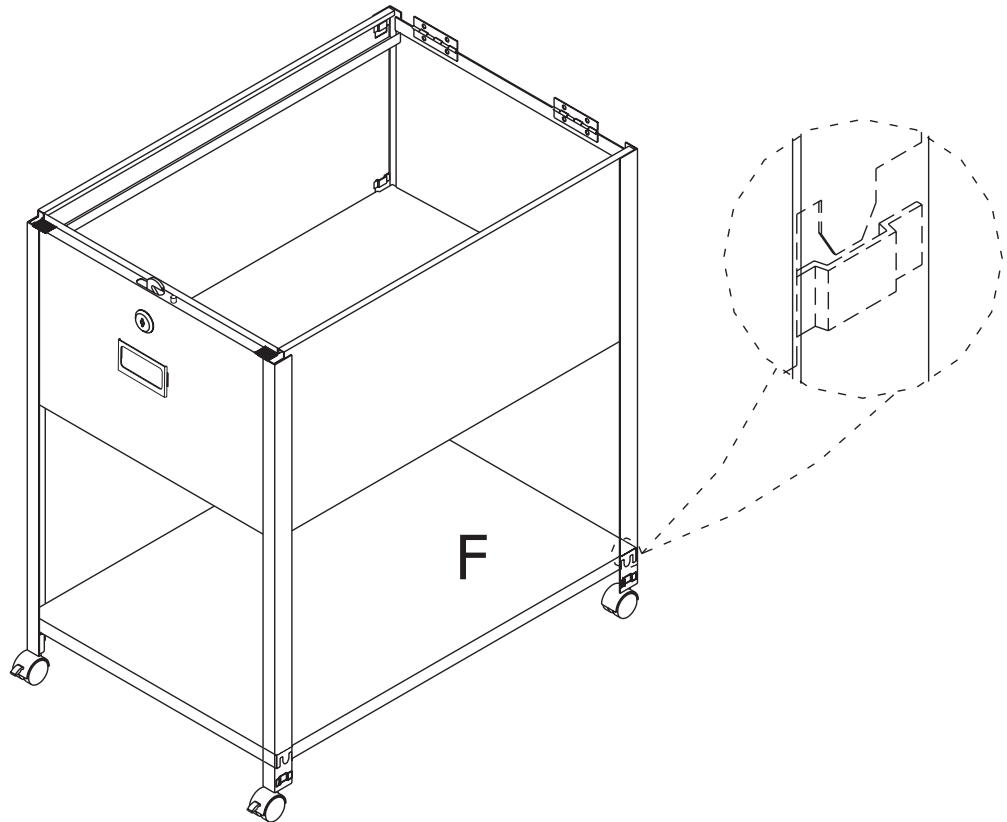
3



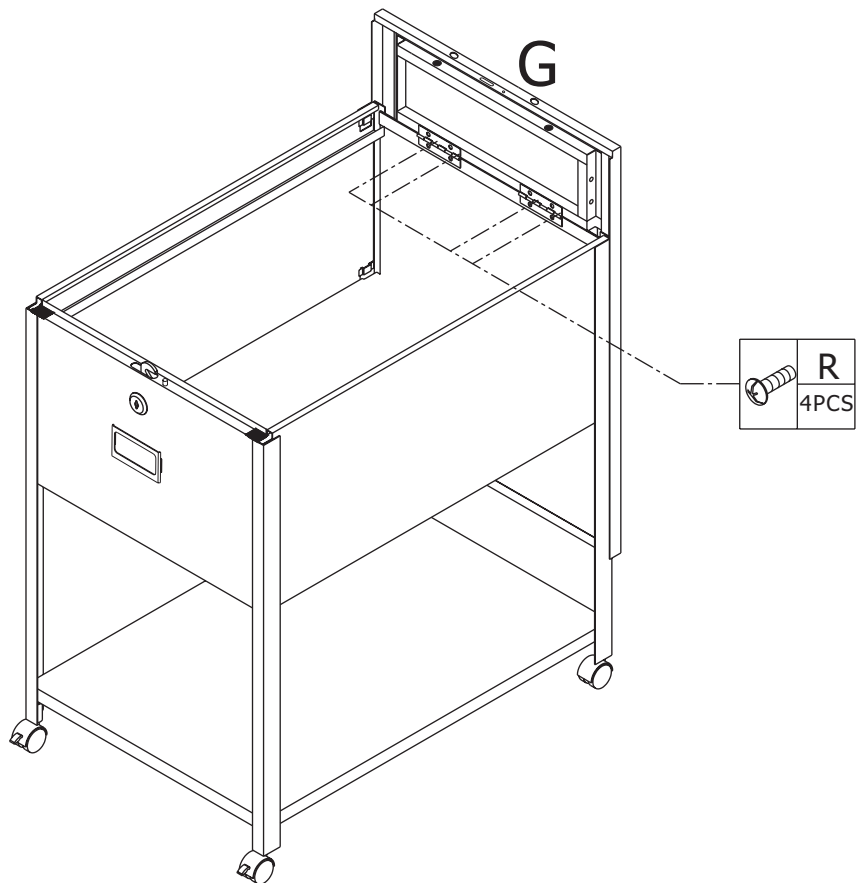
4



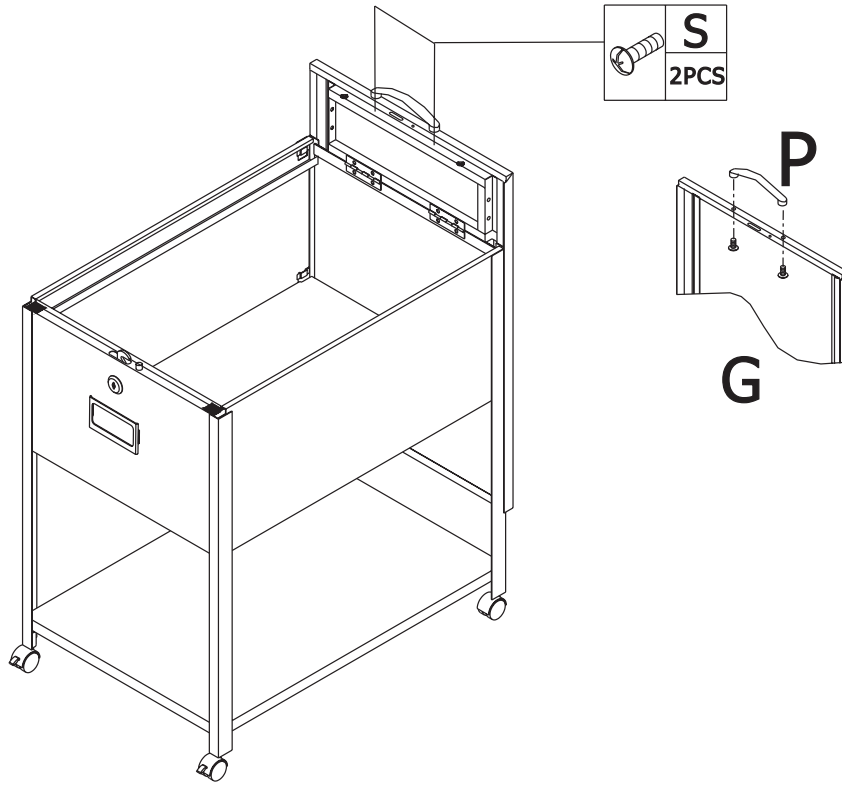
5



6



7



8

