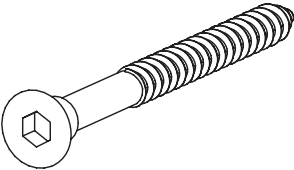
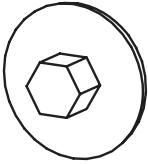

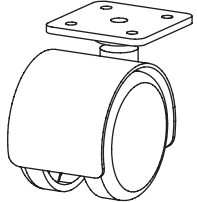
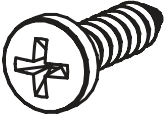


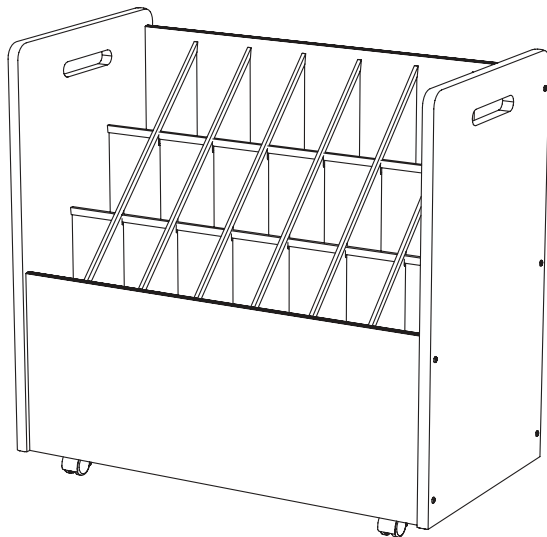
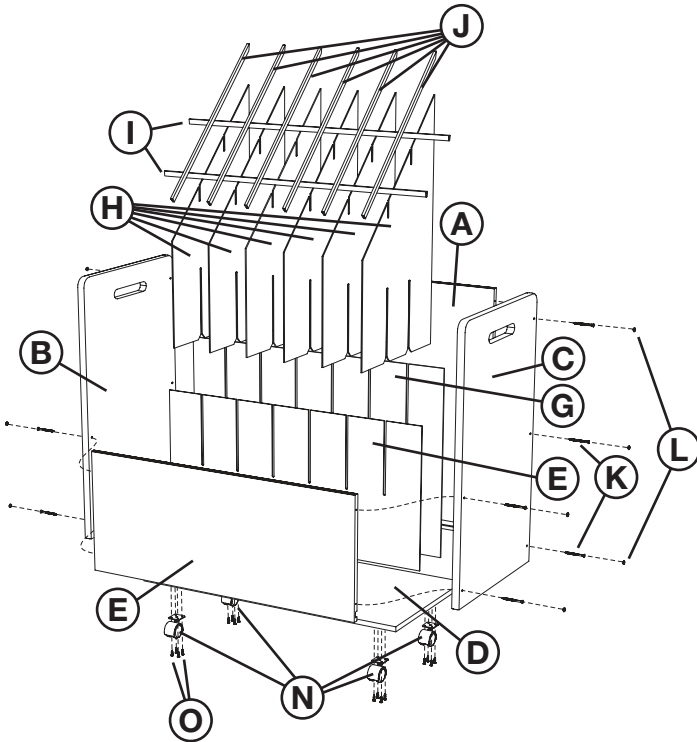
# Mobile Wood Roll File 21 Comp.

## Assembly Instructions

for MODEL 625

### PARTS LIST

Item	Description	QTY.
A	Back Panel	1
B	Left Side Panel	1
C	Right Side Panel	1
D	Bottom Panel	1
E	Front Panel	1
F	Rectangular Partition Bigger	1
G	Rectangular Partition Smaller	1
H	Triangular Partition	6
I	Open Channel	2
J	Closed Channel	6
K	Hardware Pack	1
L	 Long Screw	8
M	 Screw Cover	8
N	 Allen Wrench	1
O	 Caster	4
P	 Short Screw	16



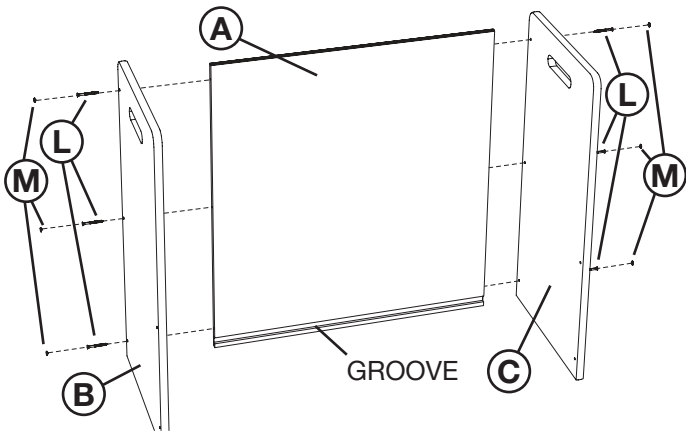
Tools required for assembly: **Hammer, Allen Wrench** (included), **Phillips screwdriver**

# Mobile Wood Roll File 21 Comp.

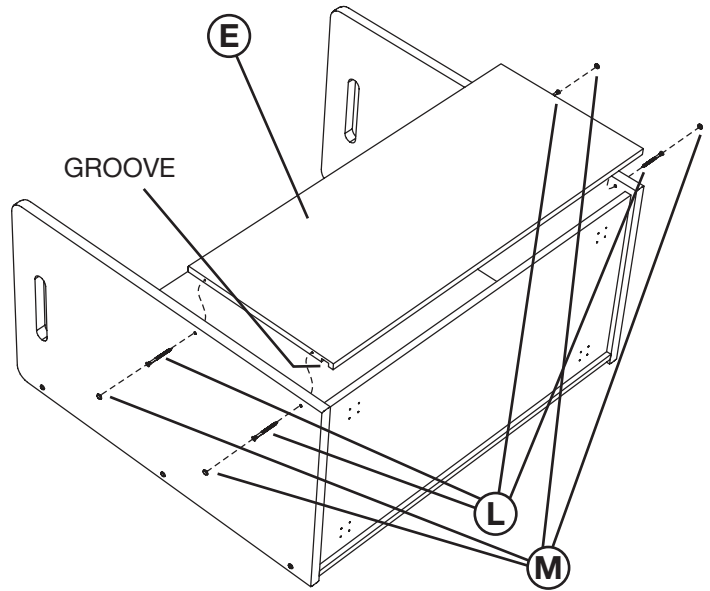
## Assembly Instructions

for MODEL 625

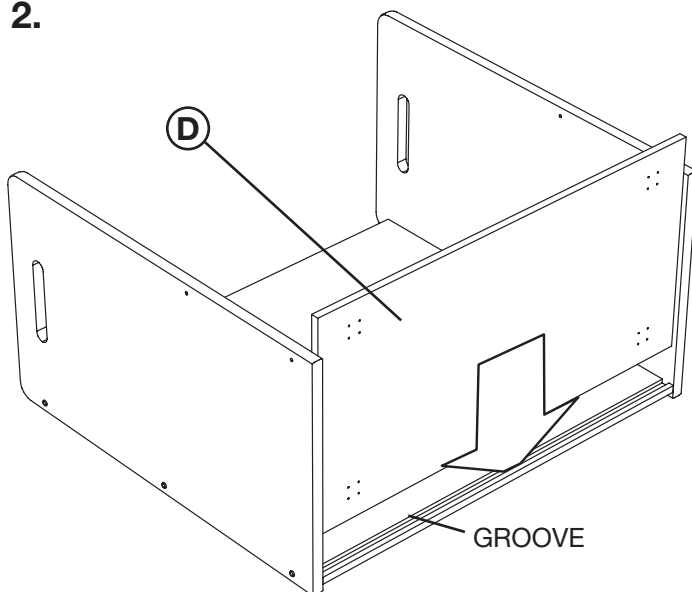
1.



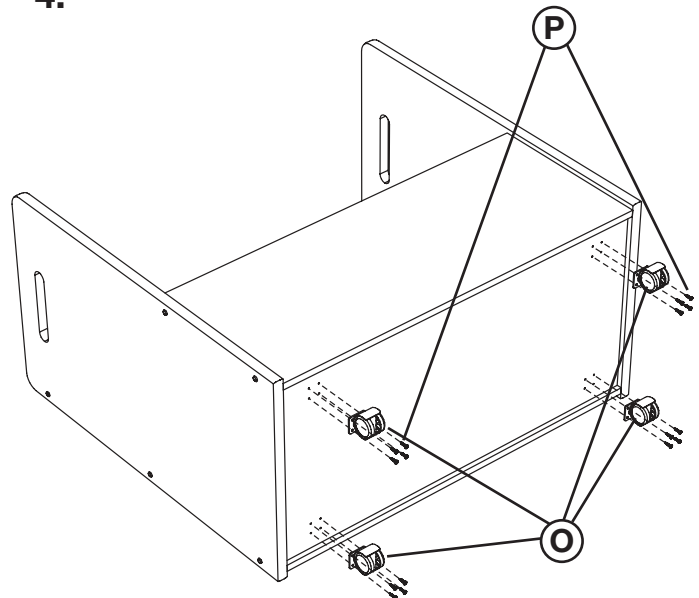
3.



2.



4.



# Mobile Wood Roll File 21 Comp.

## Assembly Instructions

for MODEL 625

