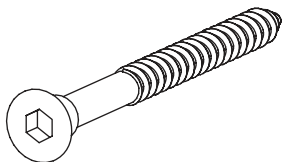
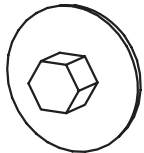

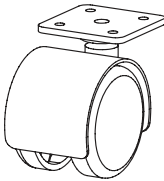



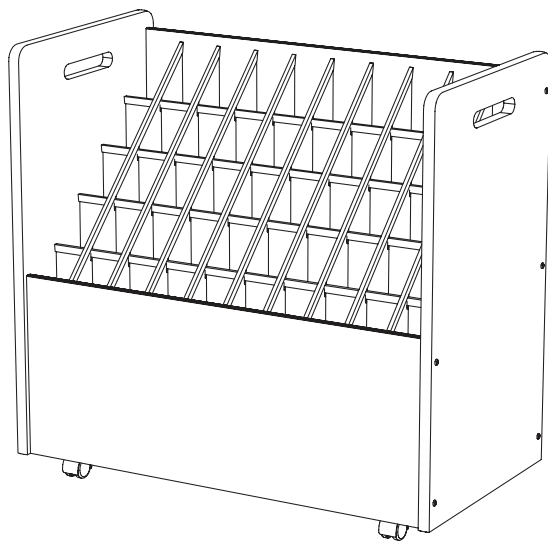
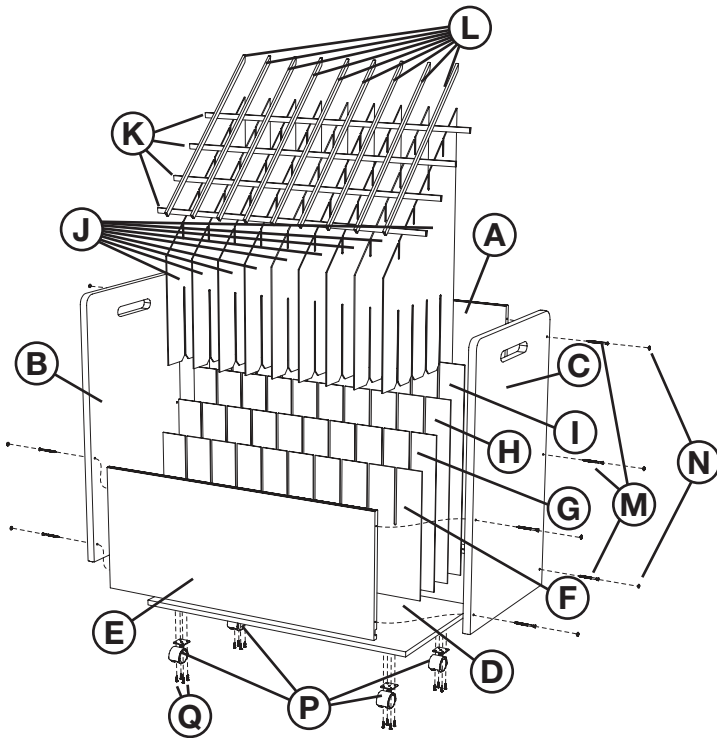
Mobile Wood Roll File 50 Comp.

Assembly Instructions

for MODEL 626

PARTS LIST

Item	Description	QTY.
A	Back Panel	1
B	Left Side Panel	1
C	Right Side Panel	1
D	Bottom Panel	1
E	Front Panel	1
F	Rectangular Partition Small	1
G	Rectangular Partition Medium	1
H	Rectangular Partition Large	1
I	Rectangular Partition Extra Large	1
J	Triangular Partition	9
K	Open Channel	4
L	Closed Channel	4
M	 Long Screw	8
N	 Screw Cover	8
O	 Allen Wrench	1
P	 Caster	4
Q	 Short Screw	16



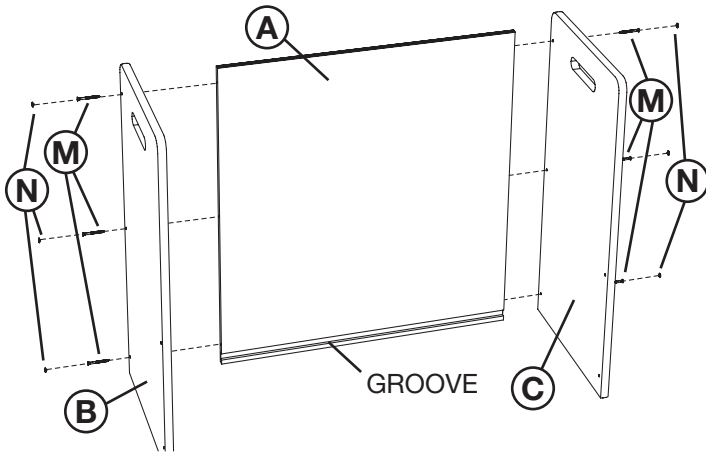
Tools required for assembly: **Hammer, Allen Wrench** (included), **Phillips screwdriver**

Mobile Wood Roll File 50 Comp.

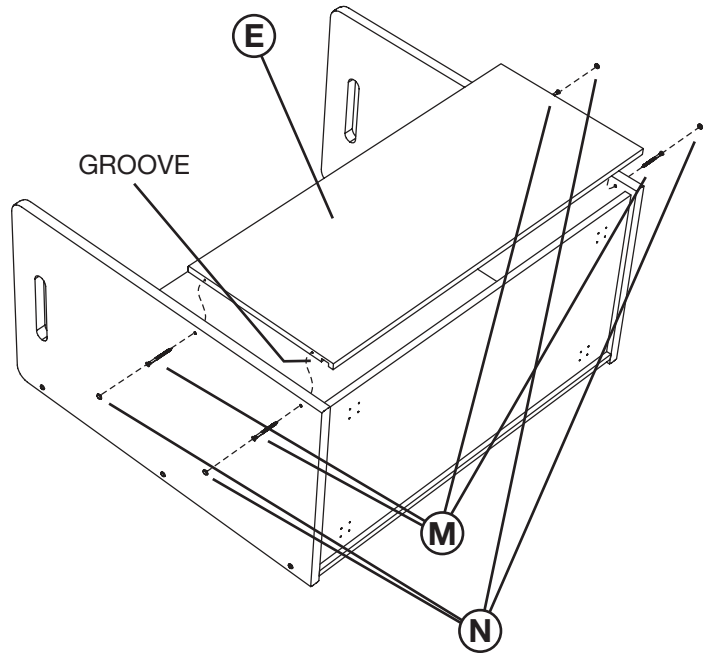
Assembly Instructions

for MODEL 626

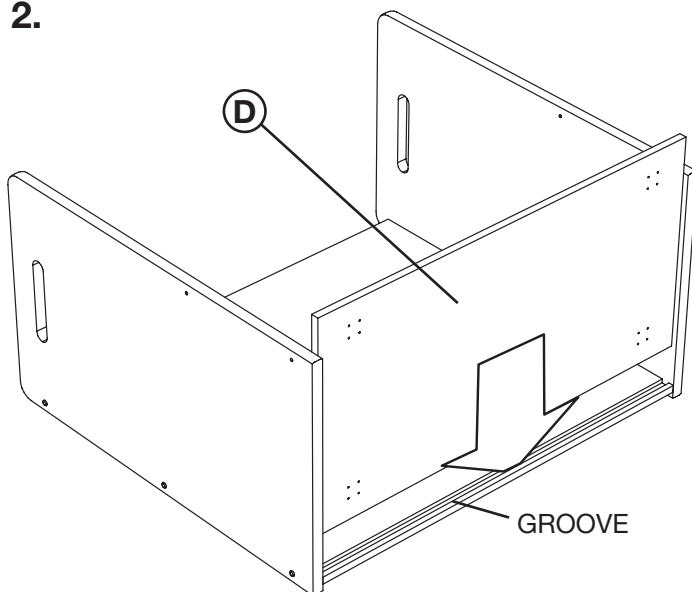
1. Handle flange outside



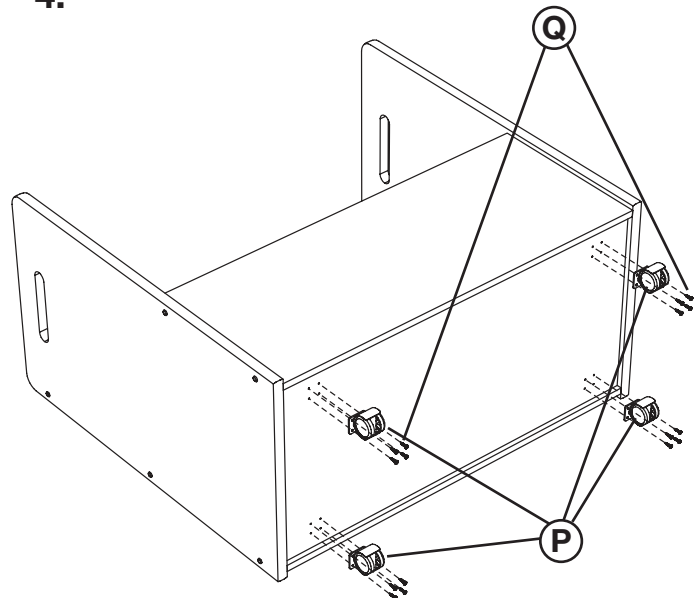
3.



2.



4.

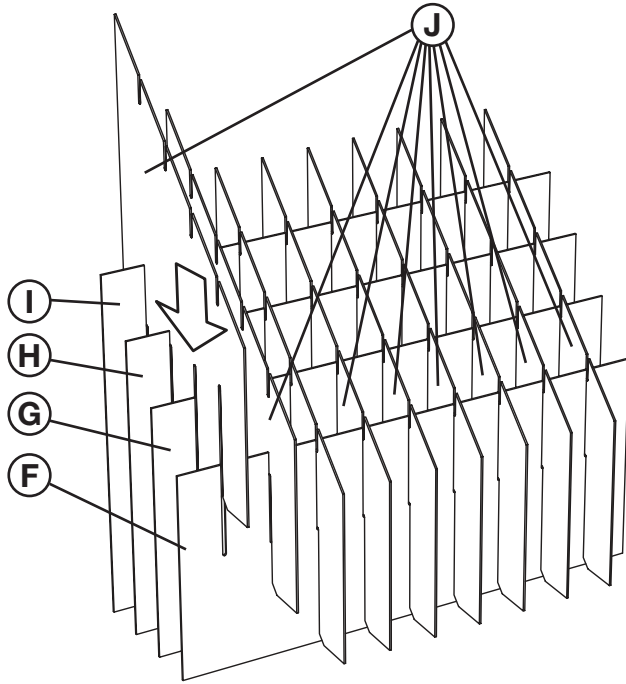


Mobile Wood Roll File 50 Comp.

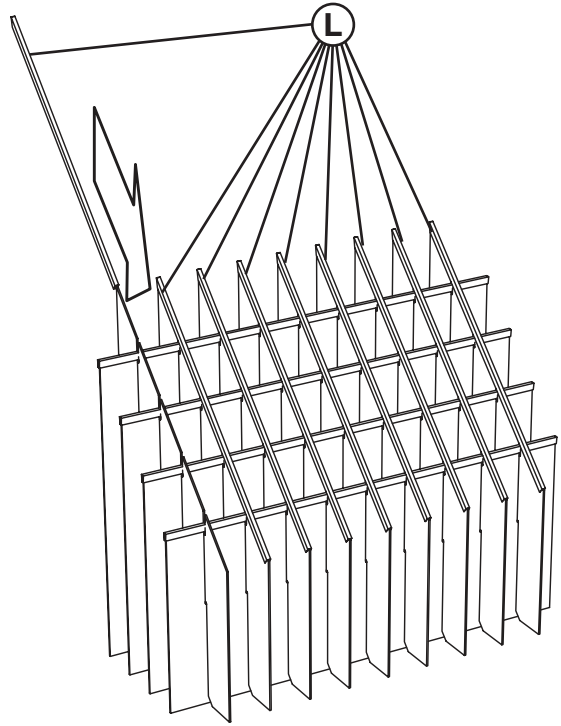
Assembly Instructions

for MODEL 626

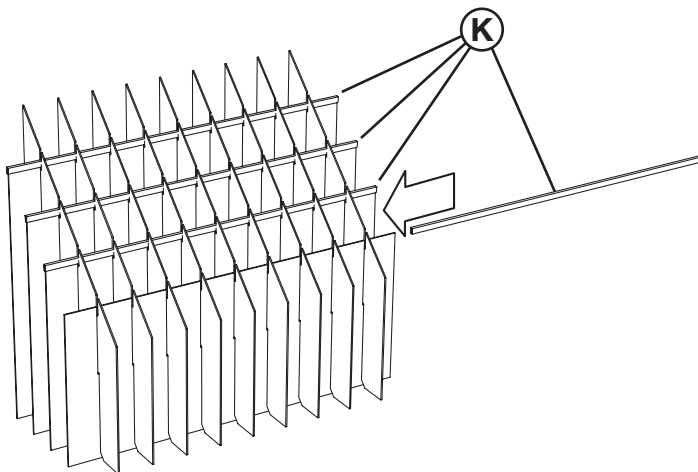
5.



7.



6.



8.

