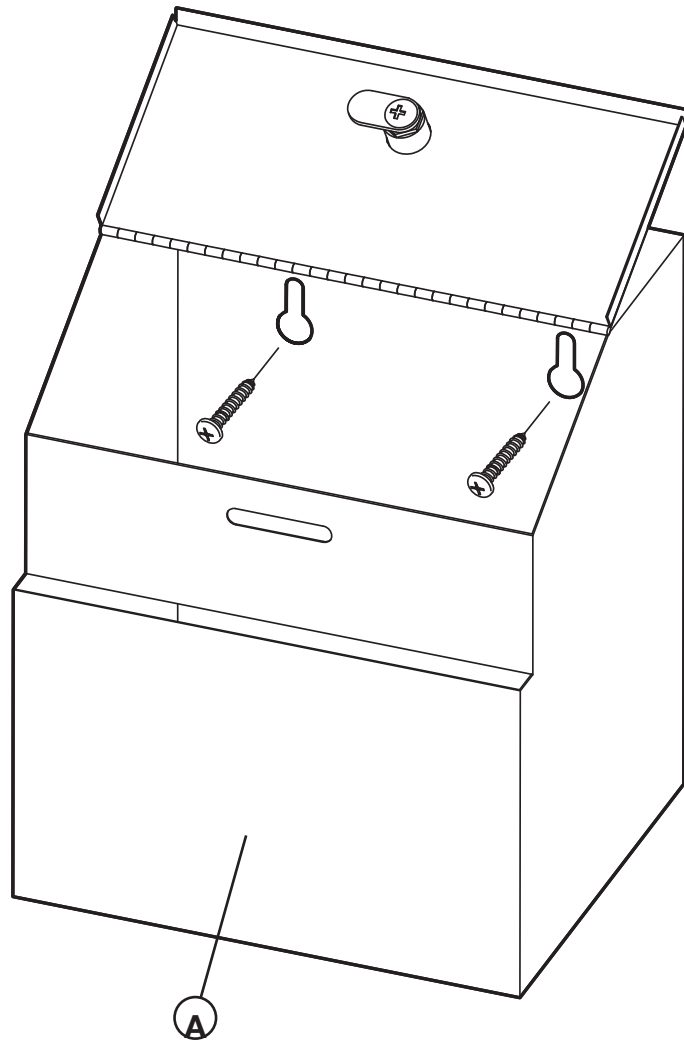


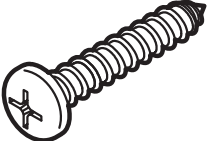
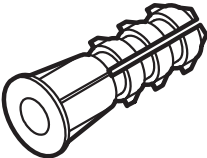
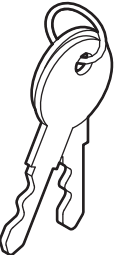
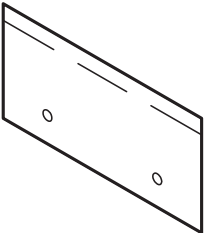
Steel Suggestion Box

Mounting Instructions

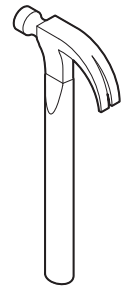
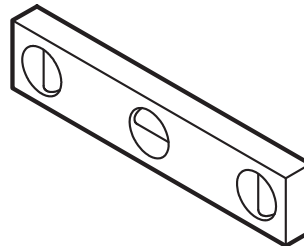
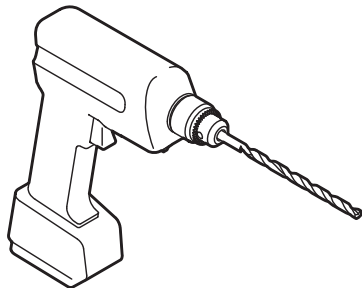
for MODELS **631**



PARTS LIST

Item	Description	QTY.
A	Steel suggestion box	1
B	 Mounting Screw	2
C	 Wall Anchor	2
D	 Set of 2 Keys	2
E	 Drilling Template	1

TOOLS MAY BE REQUIRED: Phillips Screwdriver, Drill with 3/16" bit, Level, and Hammer

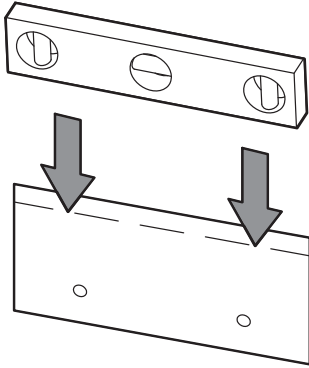


Steel Suggestion Box

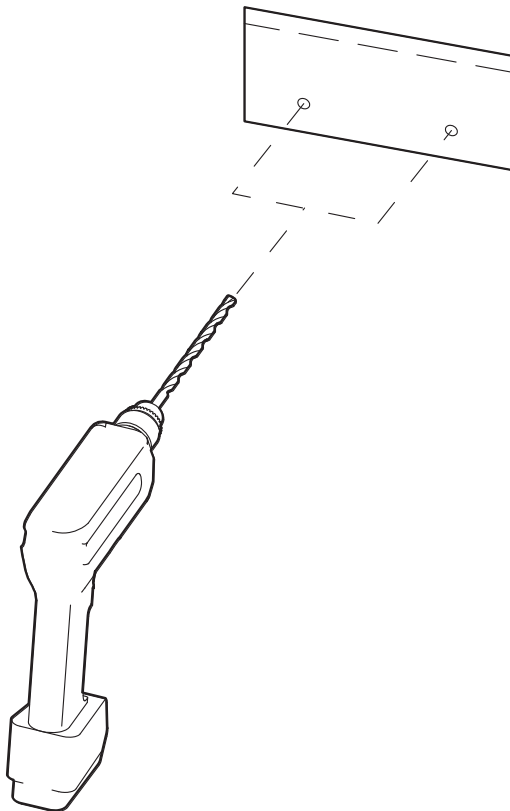
Mounting Instructions

for MODELS **631**

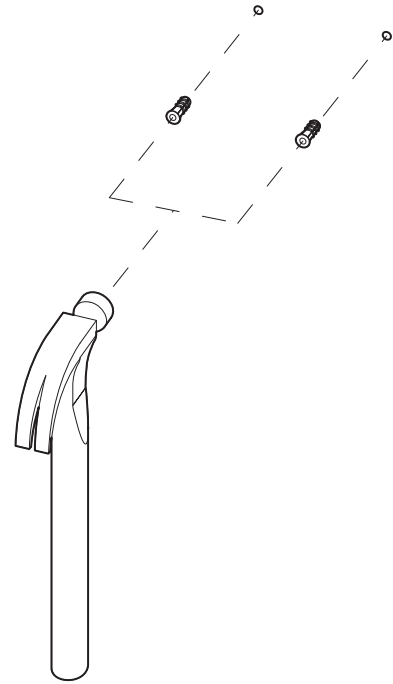
1.



2.



3.



4.

