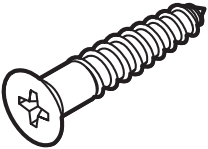
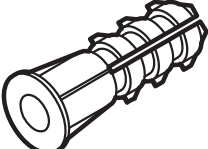
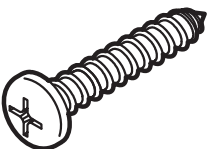



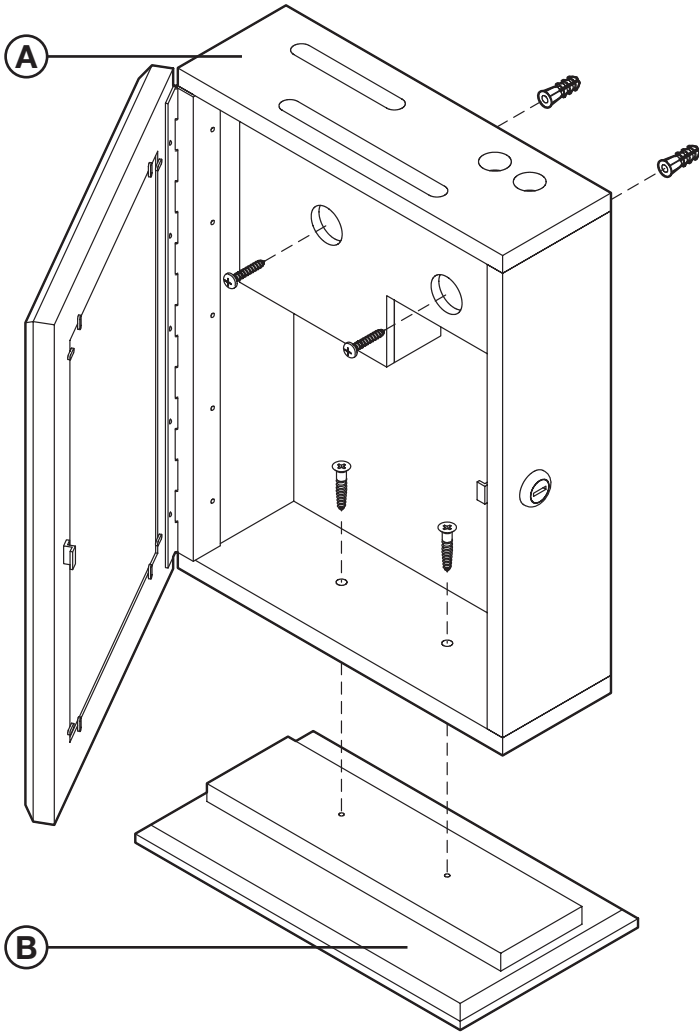
# Wood Suggestion Box

## Mounting Instructions

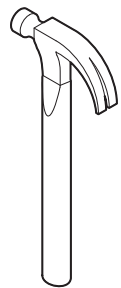
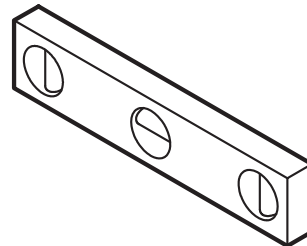
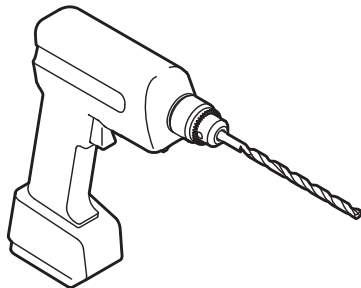
for MODELS 632

### PARTS LIST

Item	Description	QTY.
A	Body	1
B	Base	1
C	Pad of Suggestion Cards	1
D	 Flat Head Screw	2
E	 Wall Anchor	2
F	 Mounting Screw	2
G	 Set of 2 Keys	2



**TOOLS REQUIRED:** Phillips Screwdriver, Pencil, Drill with 3/16" bit, Level, and Hammer

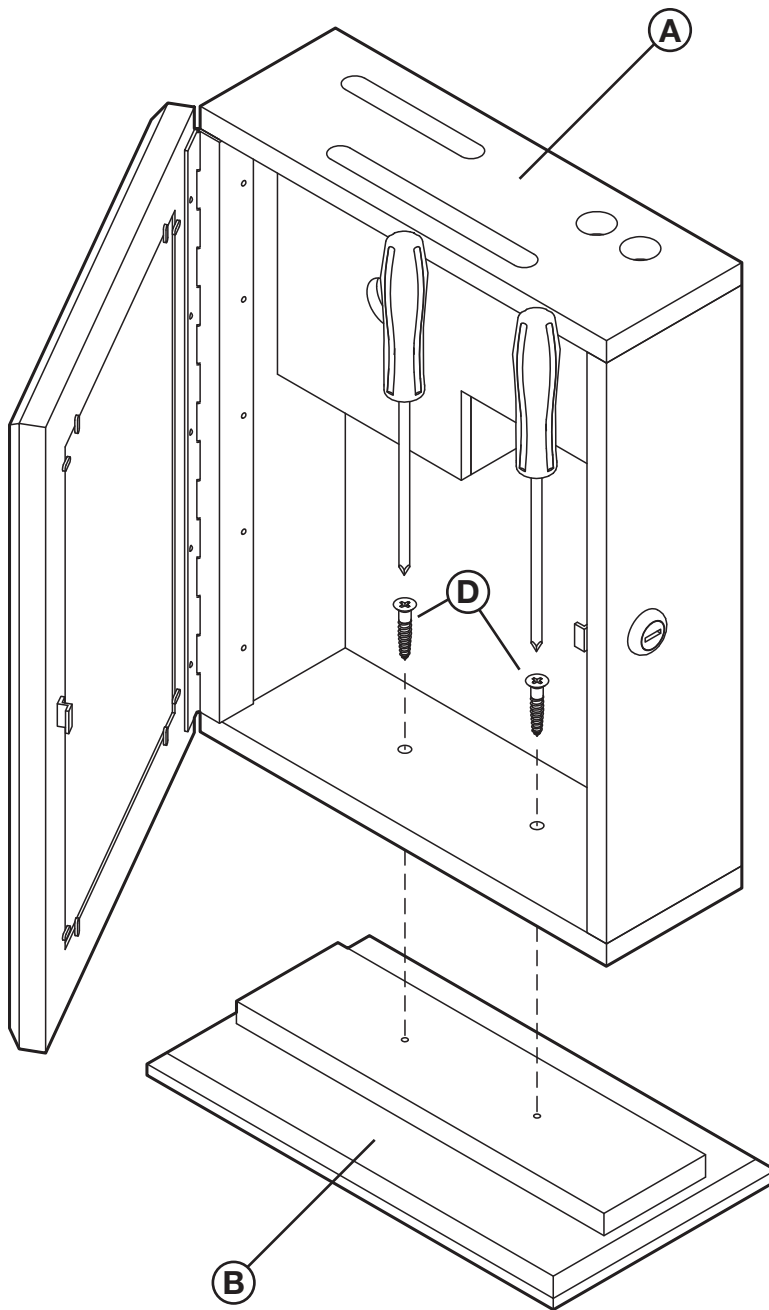


# Wood Suggestion Box

## Mounting Instructions

for MODELS **632**

To use unit on a flat surface



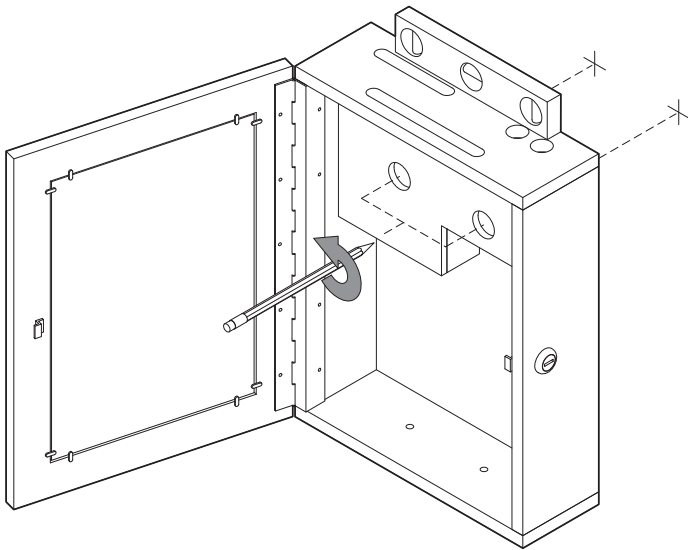
# Wood Suggestion Box

## Mounting Instructions

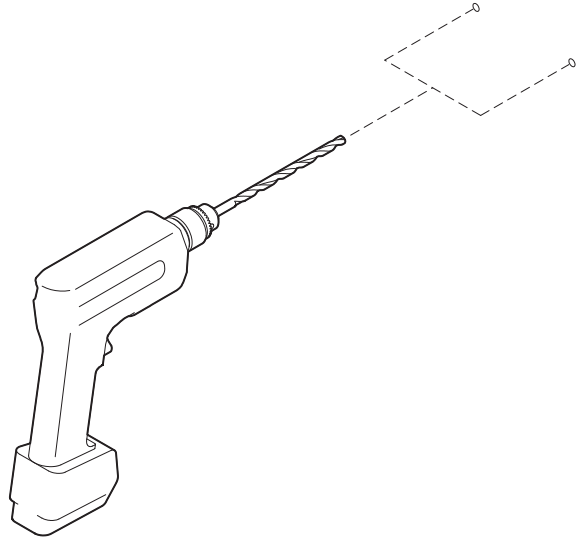
for MODELS 632

To mount unit to standard wall

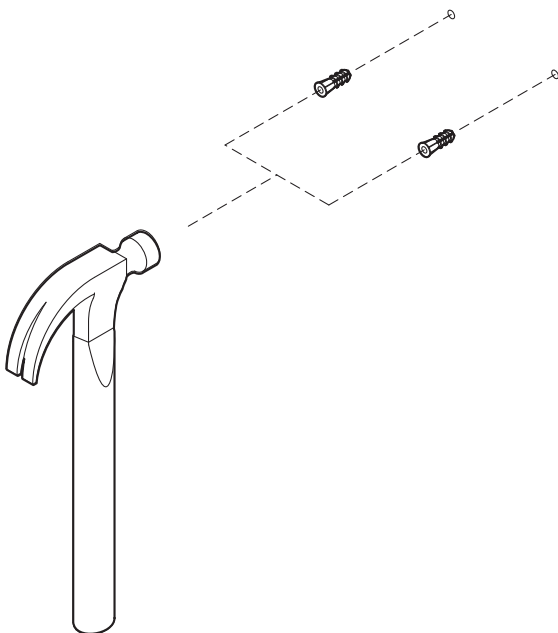
1.



2.



3.



4.

