

Surface / Wall Device Charging Station Guide

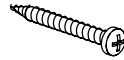
WARNING: Two people are required to attach this charging station to a wall.

Parts List

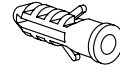
Note: Hardware provided is for drywall installation. If attaching to other material fasteners are to be furnished by other.



A x4
M5x18



B x1
M5x40



C
Plastic Anchor



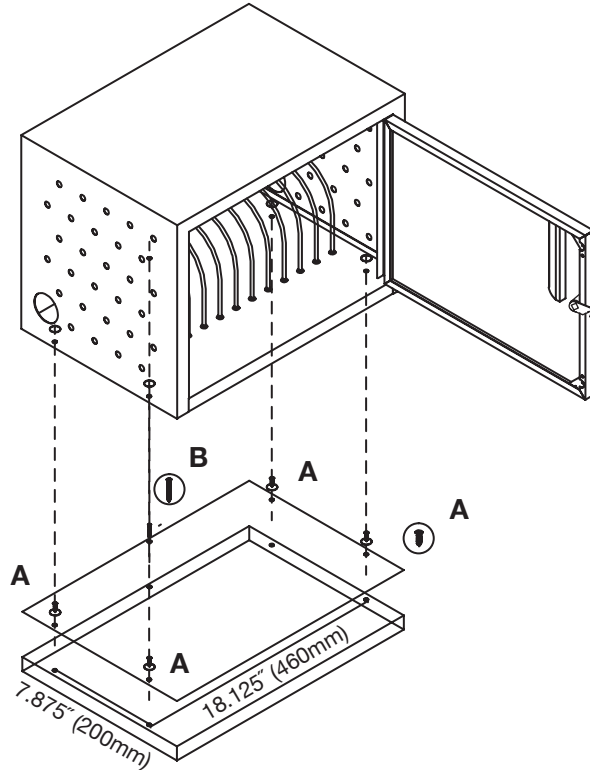
D
M5x25

Tools Required

- Tape Measure
 - Level
 - Drill
 - 1/4" Drill Bit (No Stud)
 - 1/8" Drill Bit (Stud)
- Extended Drive Phillips
 - Level
 - Stud Finder
 - Pencil

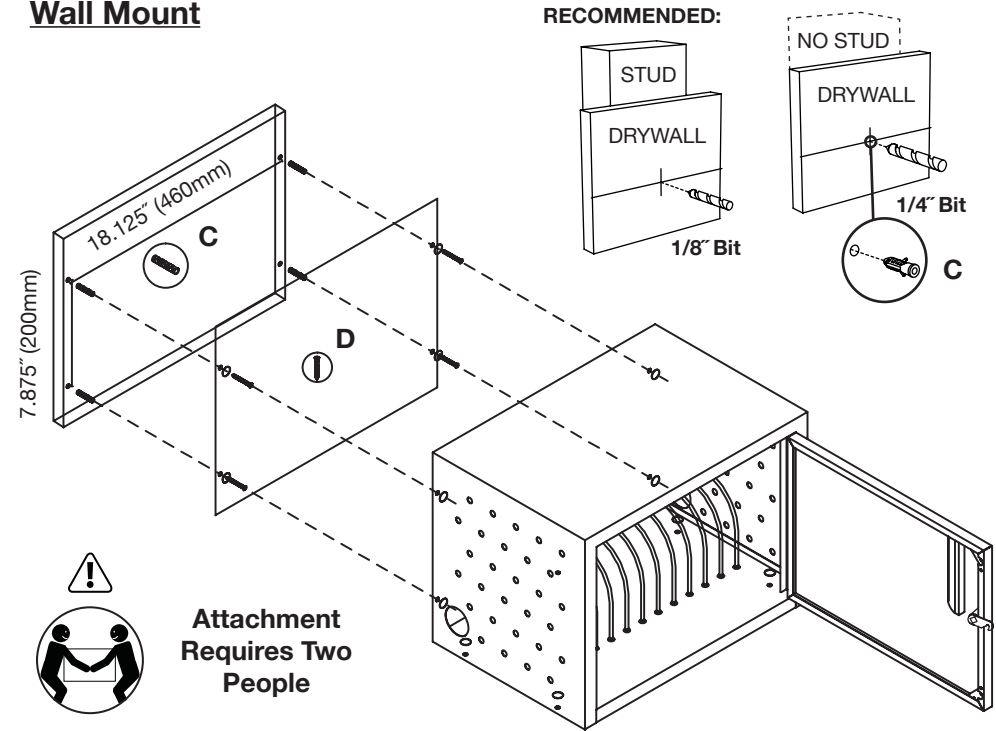
06/22/15

Surface Mount



1. Place the unit in the desired location.
2. Using a pencil, mark the front two holes.
3. Using a pencil, mark the back two holes through the side grommet holes.
4. Remove the unit, and confirm marks are in the correct location (18.125 left to right, and 7.875 front to back).
5. Mark a center point between the back two holes.
6. Drill 5 holes using the 1/8" drill bit.
7. Return the unit, and secure in place with screws (A and B).

Wall Mount



**Attachment
Requires Two
People**

Assistance required on all steps

1. Place the unit in the desired location.
2. Level the unit, and hold in place.
3. Mark the top 2 holes with a pencil.
4. Mark the bottom 2 holes with a pencil through the grommet holes.
5. Remove the unit, and confirm holes are in the correct location (18.125 left to right, and 7.875 top to bottom).
6. If mounting to drywall, drill holes with the 1/4" drill bit, and place anchors (C) in the holes
7. If mounting to a stud, drill holes with 1/8" drill bit
8. Return the unit to the location, and secure in place with screws (D).

American Filing Solutions P.O. Box 891719, Temecula CA 92589

Tel: 1-951-694-4150 or 1-888-891-1970 | Fax: 1-951-506-7717 or 1-888-891-9970 | Email: sales@FilingToday.com | www.FilingToday.com