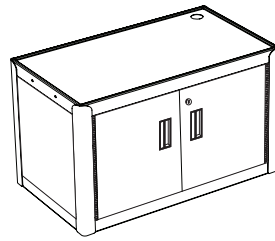


Parts List



A x1

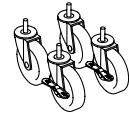


K x2

Tools Required

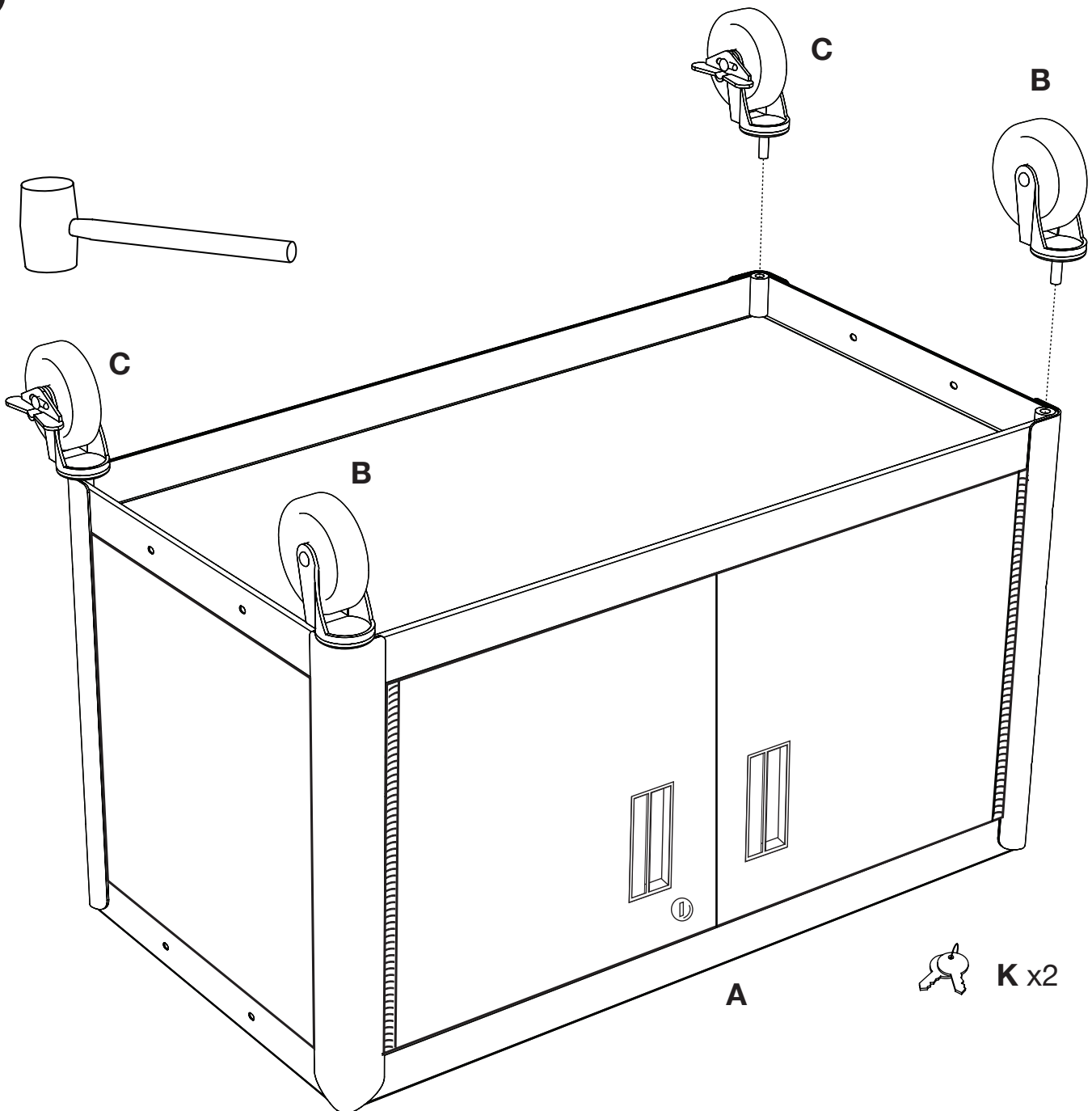
- Rubber Mallet

B x2

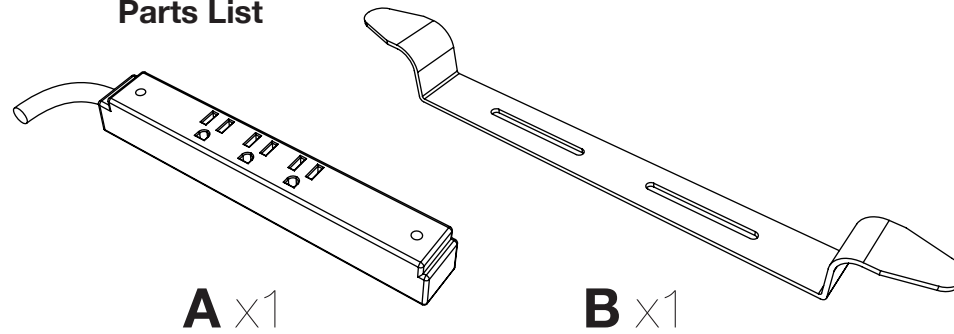


C x2

1

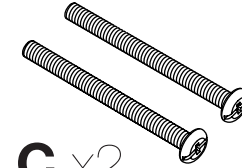


Parts List

**A** x1**B** x1

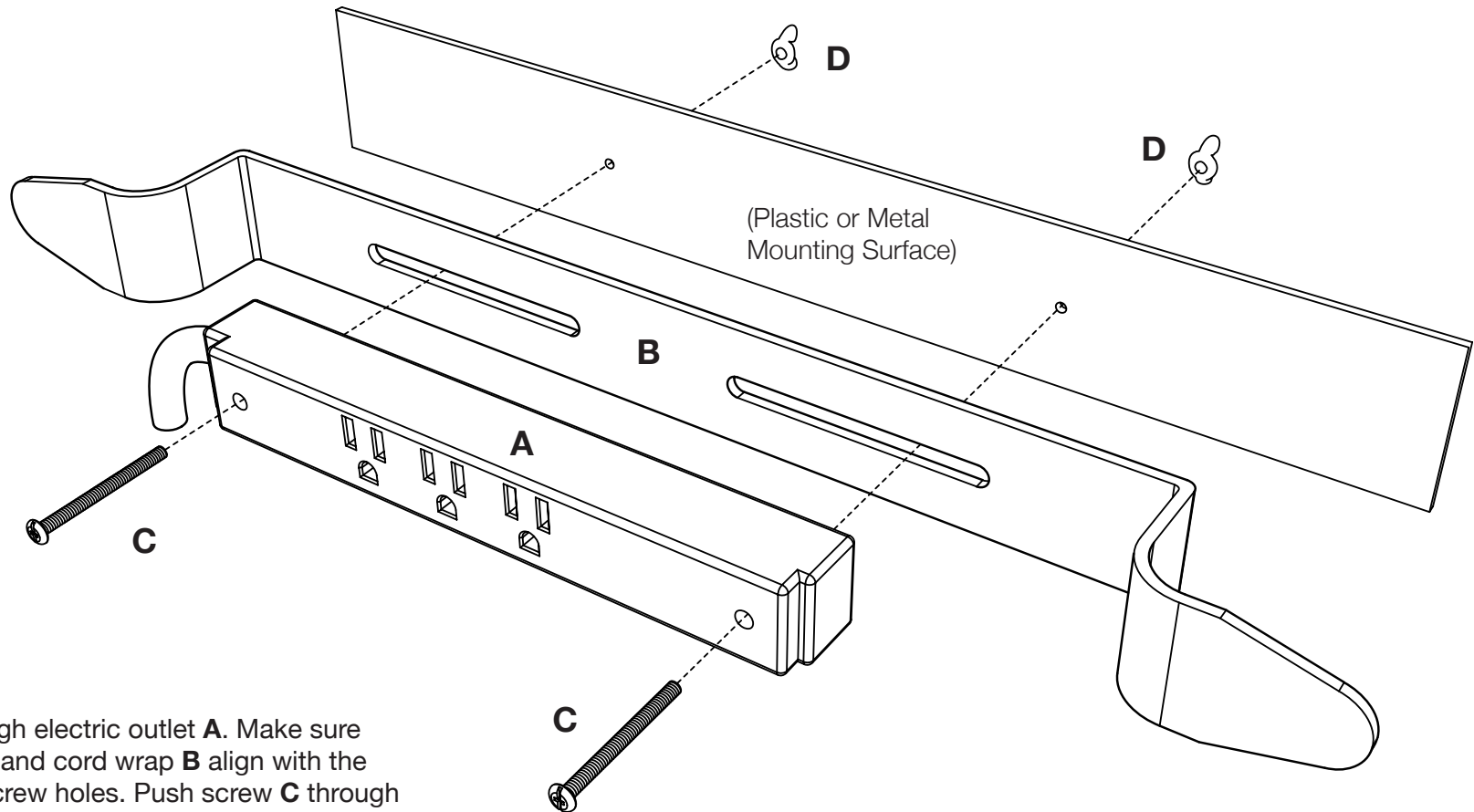
Tools Required

- Screwdriver

**C** x2**D** x2

Electric Assembly Instructions

Number of outlets may vary.

**1**

Push screw **C** through electric outlet **A**. Make sure the electric outlet **A** and cord wrap **B** align with the mounting surface screw holes. Push screw **C** through cord wrap **B** and the mounting surface screw holes. Use wing nut **D** and screwdriver to fasten.