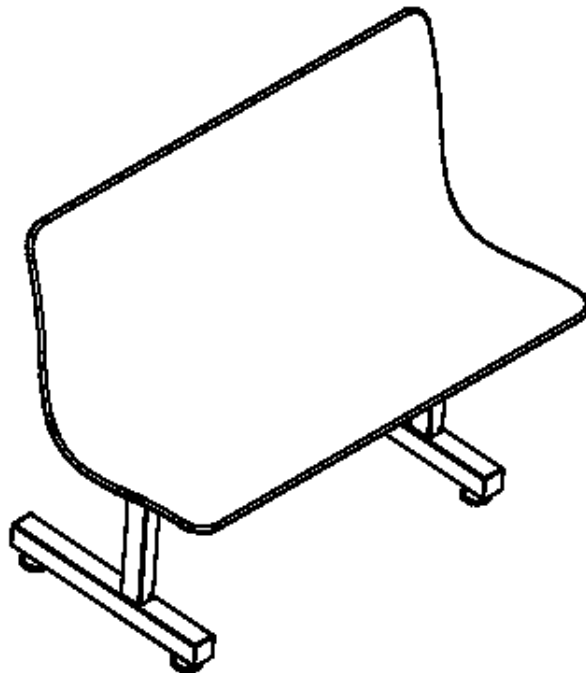


INSTALLATION INSTRUCTION

PRODUCT: CONTOUR, SIGNATURE SERIES & WOOD SLAT WALL BENCH
MANUAL: Z000000004



ATTENTION INSTALLERS: PLEASE PRESENT INSTALLATION DOCUMENTS TO FACILITIES MANAGER.



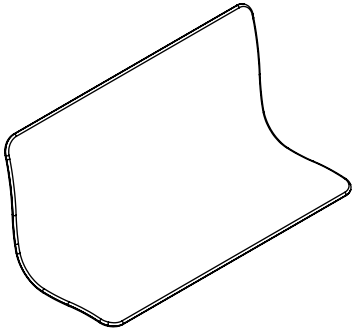
American Filing Solutions
P.O. Box 891719, Temecula CA 92589
Tel: 1-951-694-4150 or 1-888-891-1970
Fax: 1-951-506-7717 or 1-888-891-9970
Email: sales@FilingToday.com
www.FilingToday.com

COMPONENT INDEX FOR ASSEMBLY

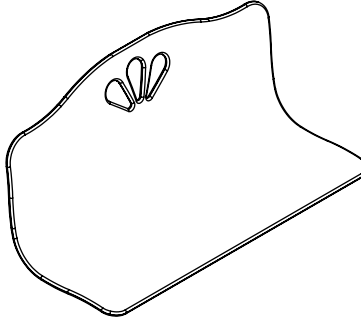
UNPACKING YOUR SHIPMENT

Unpack and identify each component in each box that you received. If your shipment is missing parts, or too many parts were shipped, please contact Plymold Seating. Phone 507-789-5111

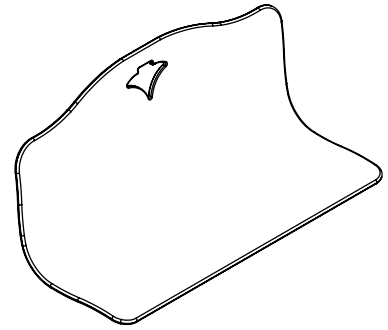
COMPONENTS:



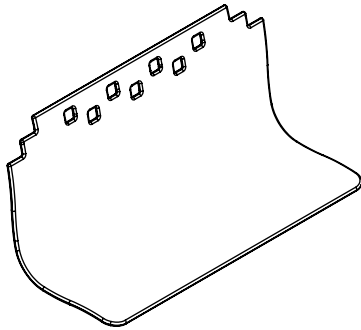
CONTOUR SEAT



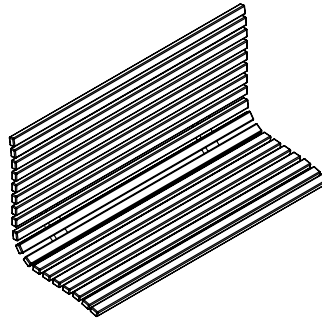
PEACOCK SIGNATURE
CONTOUR SEAT



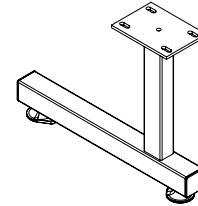
SPADE SIGNATURE
CONTOUR SEAT



SQUARE SIGNATURE
CONTOUR SEAT



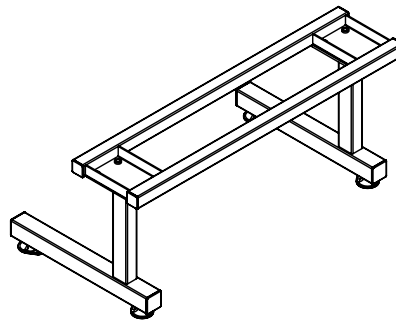
WOOD SLAT SEAT



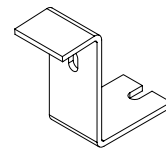
SOLO LEG

TOOLS REQUIRED:

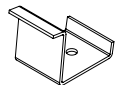
SCREW GUN W#2 PHILLIPS BIT
SCREW DRIVER
TAPE MEASURE
PENCIL OR MARKER
WRENCH SET
9/16" SOCKET AND OPEN END WRENCH
1/4" MASONRY DRILL BIT
HAMMER DRILL



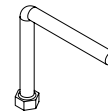
SOLO BENCH FRAME



FRONT SEAT HOOK



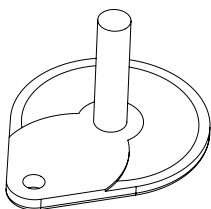
REAR SEAT HOOK



ELBOW BOLT



1/4-20UNC KEP NUT



ADJUSTABLE
GLIDE



3/8-16 X 1"
BOLT



3/8-16UNC NUT
SLAT ONLY



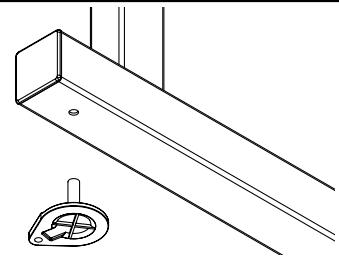
FLOOR ANCHOR



#10X1.00"

STEP 1: GLIDE ASSEMBLY

1. Screw the thread in glide into the leg tube.



STEP 2: ASSEMBLING SEAT TO LEGS

1. Attach legs to frame using 3/8"-16 Hex Head bolts. (fig.1)
2. Tighten bolts using a wrench.
3. Fasten the frame to seat using front seat hook and elbow bolts (fig. 2). Finger tighten nuts.
4. Insert rear seat hooks, using a flat head screwdriver, pry rear seat hook over frame until it snaps in place (fig. 3).
5. Tighten elbow bolt nuts with wrench.

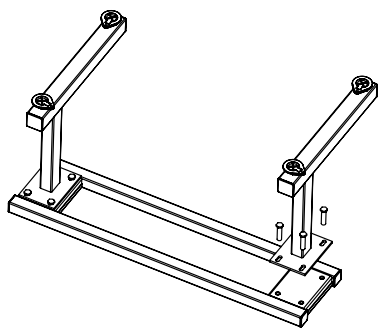


fig. 1

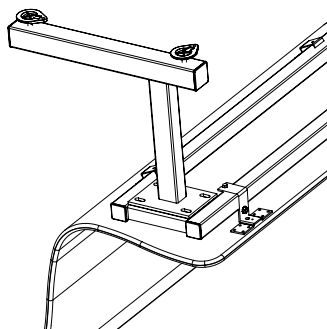


fig. 2

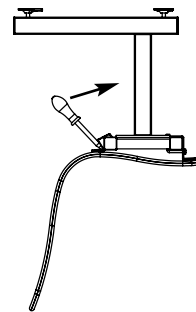
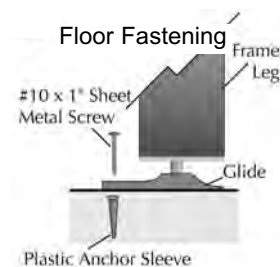


fig. 3

STEP #3 FASTENING GLIDES TO FLOOR

1. Rotate glides so that the mounting hole is pointing towards the center of the booth.
2. With a pencil, mark the hole location on the floor using the holes in the glide.
3. Turn the glide away 90 degrees from its current position to expose the mark on the floor.
4. Using a hammer drill and a 1/4" masonry bit, drill a 1 1/4" deep hole on the pencil mark.
5. Place a plastic anchor in the hole and then rotate glide back so its hole lines up with the plastic anchor in the floor.
6. Insert a #10 x 1.00" screw through the hole in the glide and secure into the plastic anchor.

NOTE: Frames must be anchored to the floor to maintain stability and prevent personal injury.



STEP #4: CARE

1. Clean furniture and protect unit ready for use.