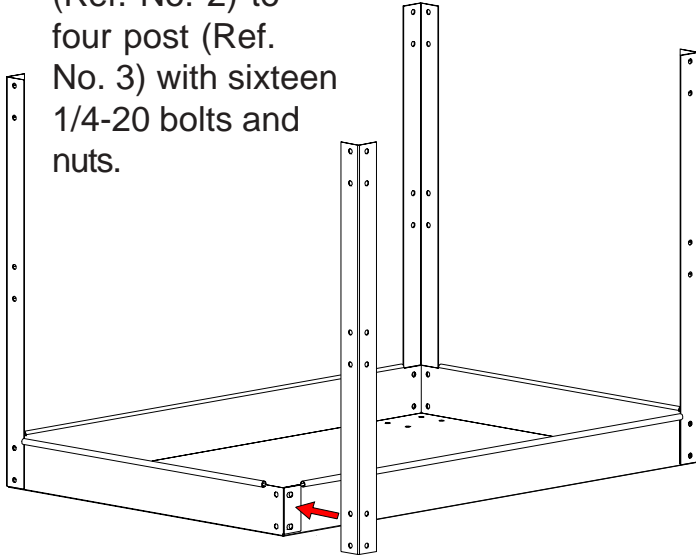


# SERVICE CART Model SC1630 and SC2436

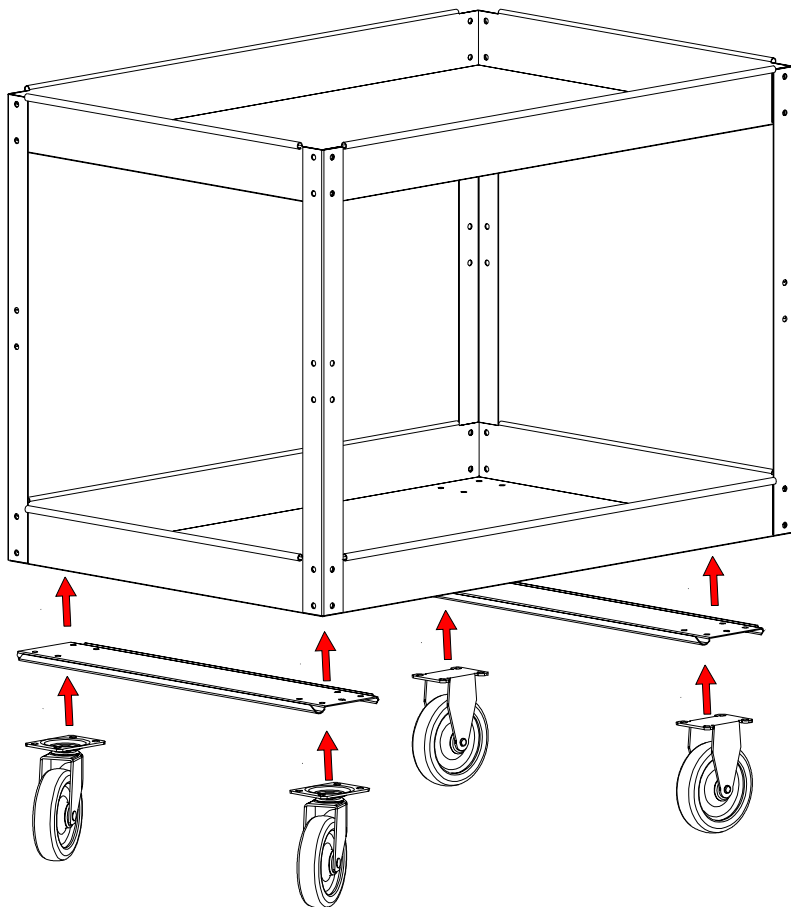
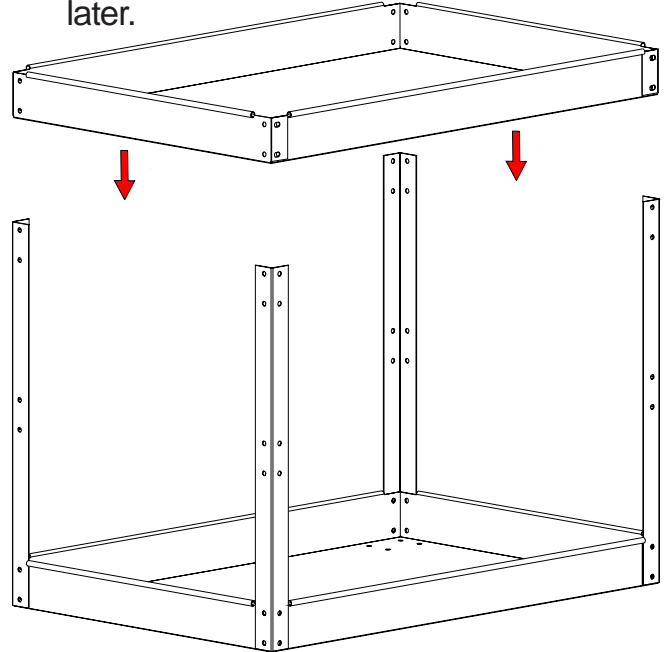
## ASSEMBLY INSTRUCTIONS FOR SERVICE CART

Tools required one flat tip screwdriver and one 7/16" wrench

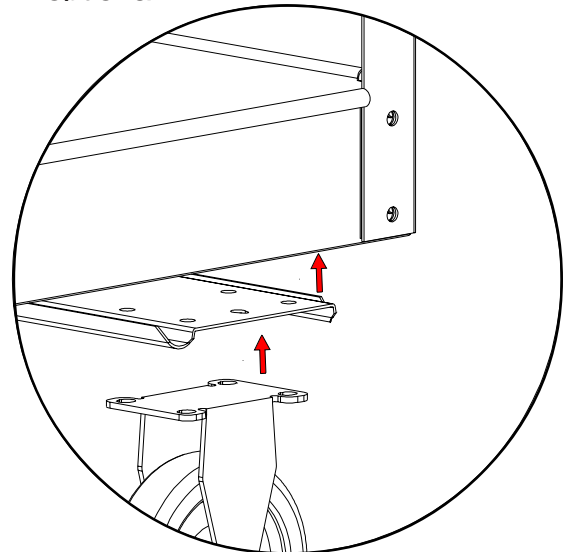
1. Bolt lower tray (Ref. No. 2) to four post (Ref. No. 3) with sixteen 1/4-20 bolts and nuts.

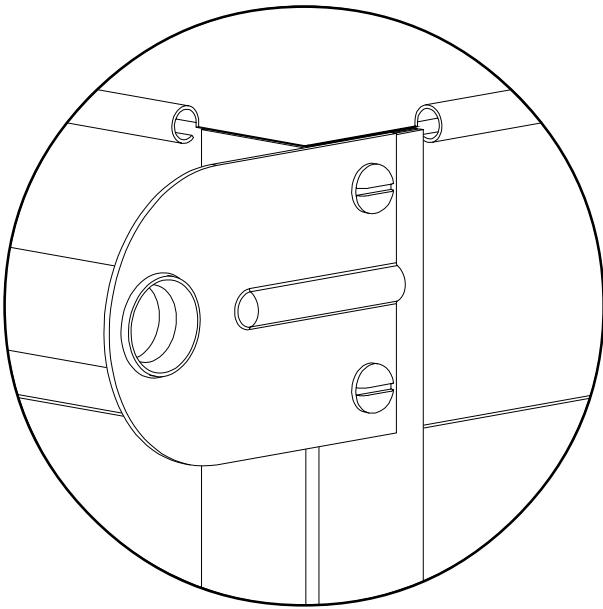


2. Bolt upper tray (Ref. No. 1) to post with twelve bolts and nuts, do not attach tray to post where the handle brackets (Ref. No. 7) mount until later.

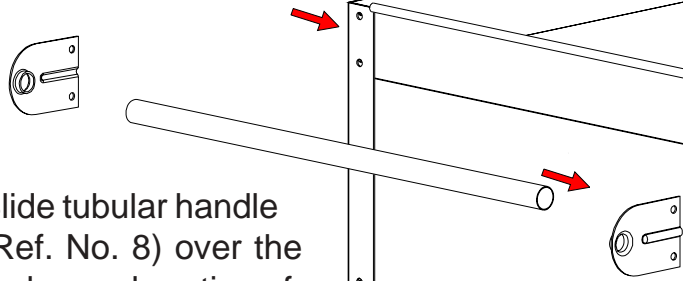


3. Place caster support (Ref. No. 4) between lower tray and caster top plates and secure with 1/4-20 bolts and nuts. Caster position optional.

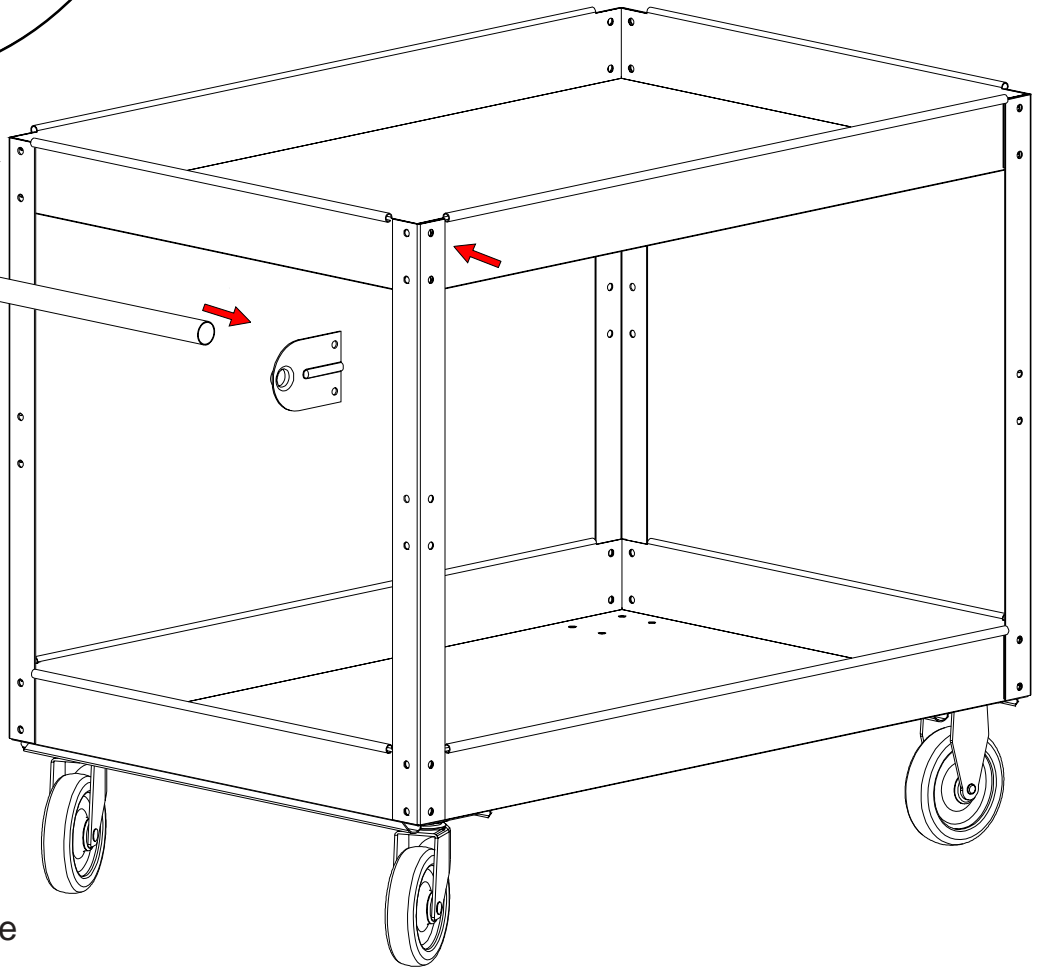




4. Attach the right handle bracket (Ref. No.7) to outside of post using two nuts and bolts.



5. Slide tubular handle (Ref. No. 8) over the embossed section of the bracket. While still holding the handle, place the second handle bracket into position and bolt to the post as you did in step 4.

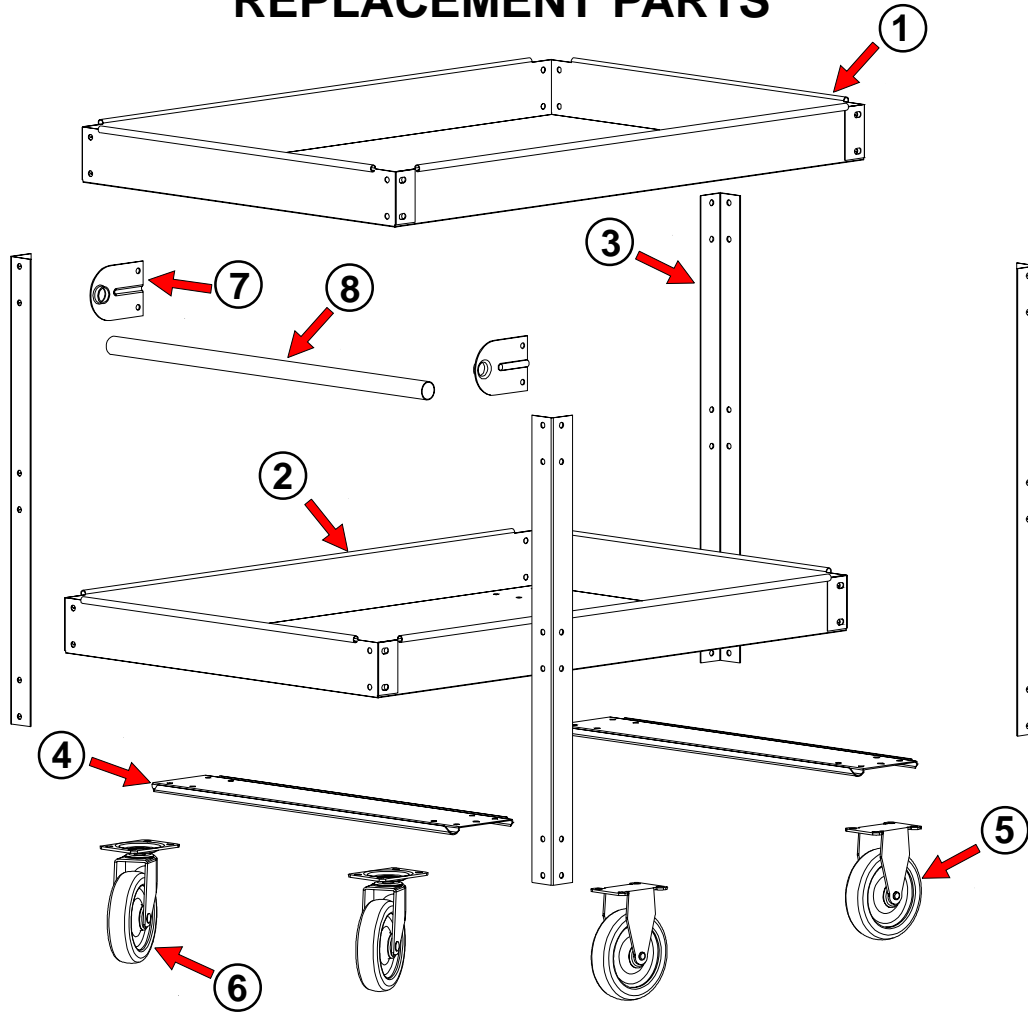


6. After checking the entire cart assembly for squareness, tighten all bolts and nuts.

7. Your service cart is now assembled and ready for use.

**NOTE: Pulling the cart can cause serious injury; when moving the cart, always push the cart in front of you using the provided handle.**

# REPLACEMENT PARTS



REF. NO.	DESCRIPTION	PART NO.	QUANTITY
1	Upper Tray	ST-ww*	1
2	Lower Tray	SCLT-ww*	1
3	Upright Post	UP-1	4
4	Caster Support	CBS-ww*	2
5	Rigid Caster	SCCK-1	2
6	Swivel Caster	HARDW30	2
7	Handle Bracket	HB-1	2
8	Handle	RH-ww	1
9	Service Cart Hardware Pack	SCHP-1	1

\* "ww" indicates unit width

We make every effort to ensure that all units ship complete and arrive undamaged. However, should your unit contain missing or damaged parts, replacements may be obtained directly from us.

