

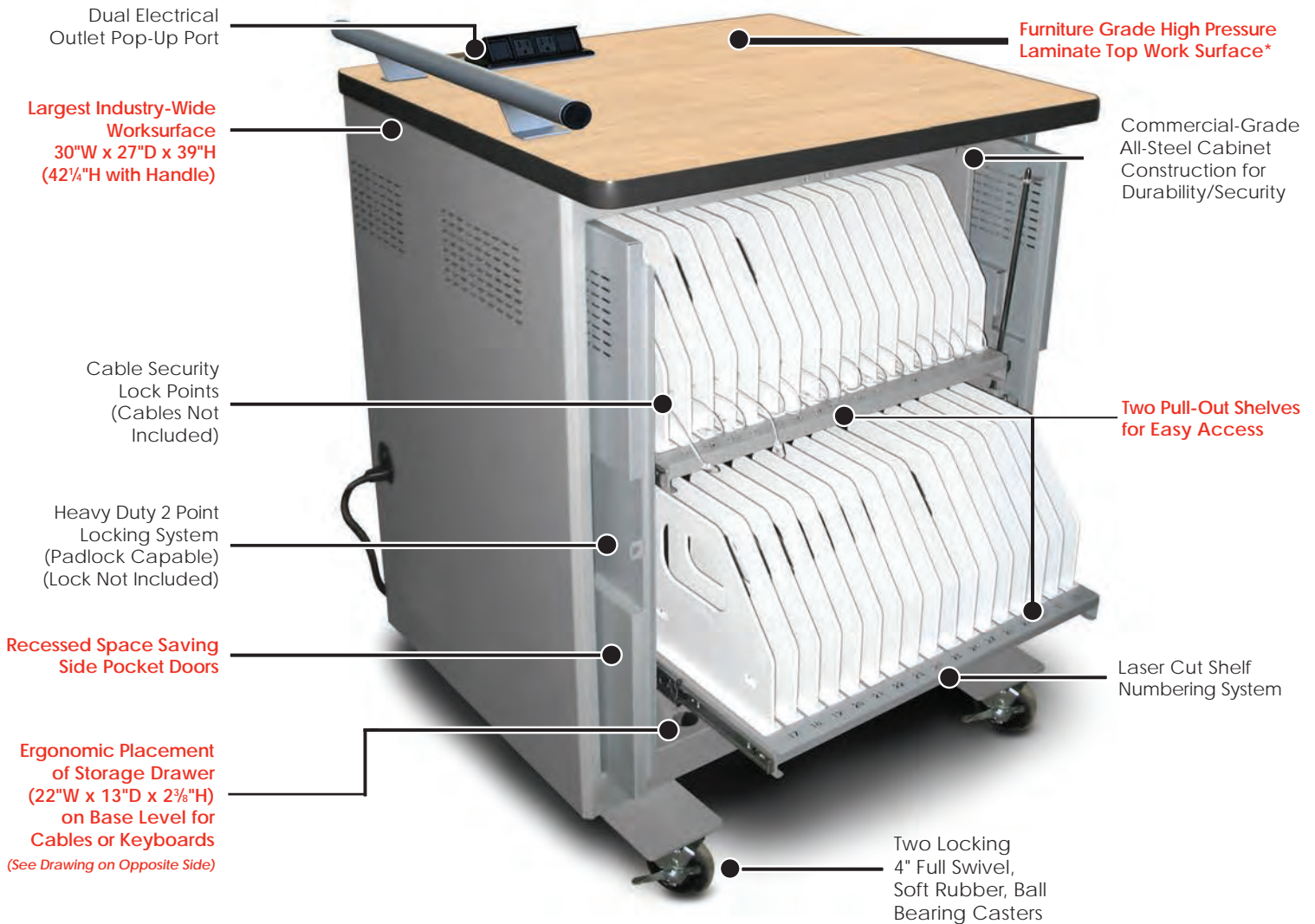
MVWCC3027KMST Charge Cart (32)



**UL Electrical and Tip Test Approved
 No Assembly Required**



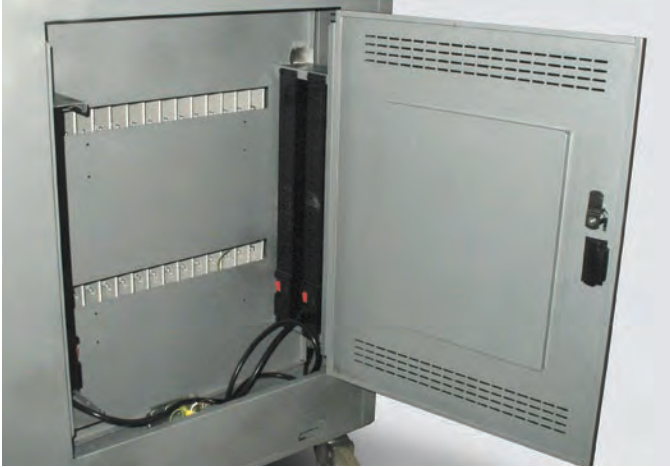
Features Below in Red are Exclusive to Marvel® Power Center Series Carts



Available in Kensington Maple/Silver - Qty 1-10 - 2 Weeks, Qty 10-15 - 3 Weeks.
 All Other Laminate/Finish Combinations have a 4-Week Lead Time.
 Color Matching / Custom Finishes may be Available (4-Week Lead Time, Upcharge Applies. Call for Details).



Power Center Series – Charge Cart



Detail of the Back Side of the Cart and Rear Access Door

Product Description

The Marvel Power Center Charge Cart Incorporates Functionality with Style for Up to 32 devices. Manufactured from Steel for Security and Durability, the Marvel Power Center Charge Cart is Available in Kensington Maple/Silver.

Features

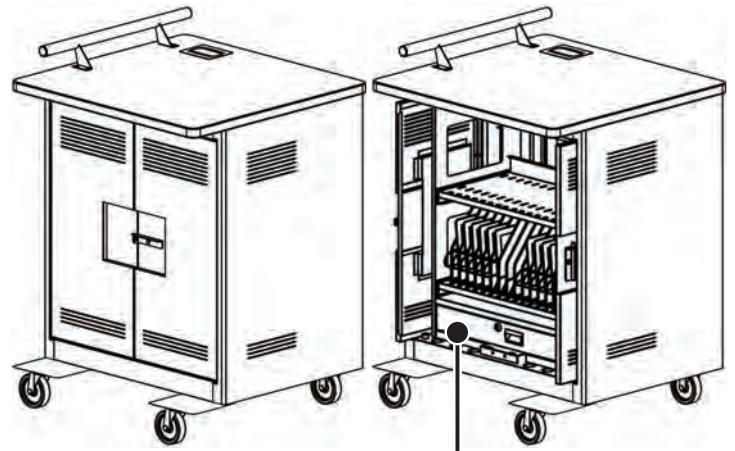
- Charges Up to 32 Devices
- Ample Wide Slots – 1"W x 11.5"D x 10"H
- Charges at a Rate of Up to 2.1 Amps to Each Device
- AC: Maximum Draw AC 5.5A
- Wire Cable Management System
- Power Rating: Input AC 100-12V, 50/60Hz
- Twin External Power Outlets AC 100-120V, 50/60Hz 1.5A Max
- UL Listed (Standard UL E475174)
- Ships Fully Assembled
- Weight = 220lbs.
- Shipping Weight = 240lbs.
- Three Year Limited Warranty on Electrical Components and 15 Year Limited Warranty on Cart Mechanicals
- GreenGuard® Gold Certified
- Made In America



Cable Security Lock Points and Laser Cut Numbering System
(Cables Not Included)



Heavy Duty 2-Point Locking System (Padlock Capable)



22"W x 13"D x 2 $\frac{3}{8}$ "H Storage Drawer on Base Level

*Available in Kensington Maple/Silver (5-Day Quickship). All Other Laminate/Finish Combinations have a 4-Week Lead Time. Color Matching / Custom Finishes may be Available (4-Week Lead Time, Upcharge Applies. Call for Details).



American Filing Solutions
P.O. Box 891719, Temecula CA 92589
Tel: 1-951-694-4150 or 1-888-891-1970
Fax: 1-951-506-7717 or 1-888-891-9970
Email: sales@FilingToday.com
www.FilingToday.com



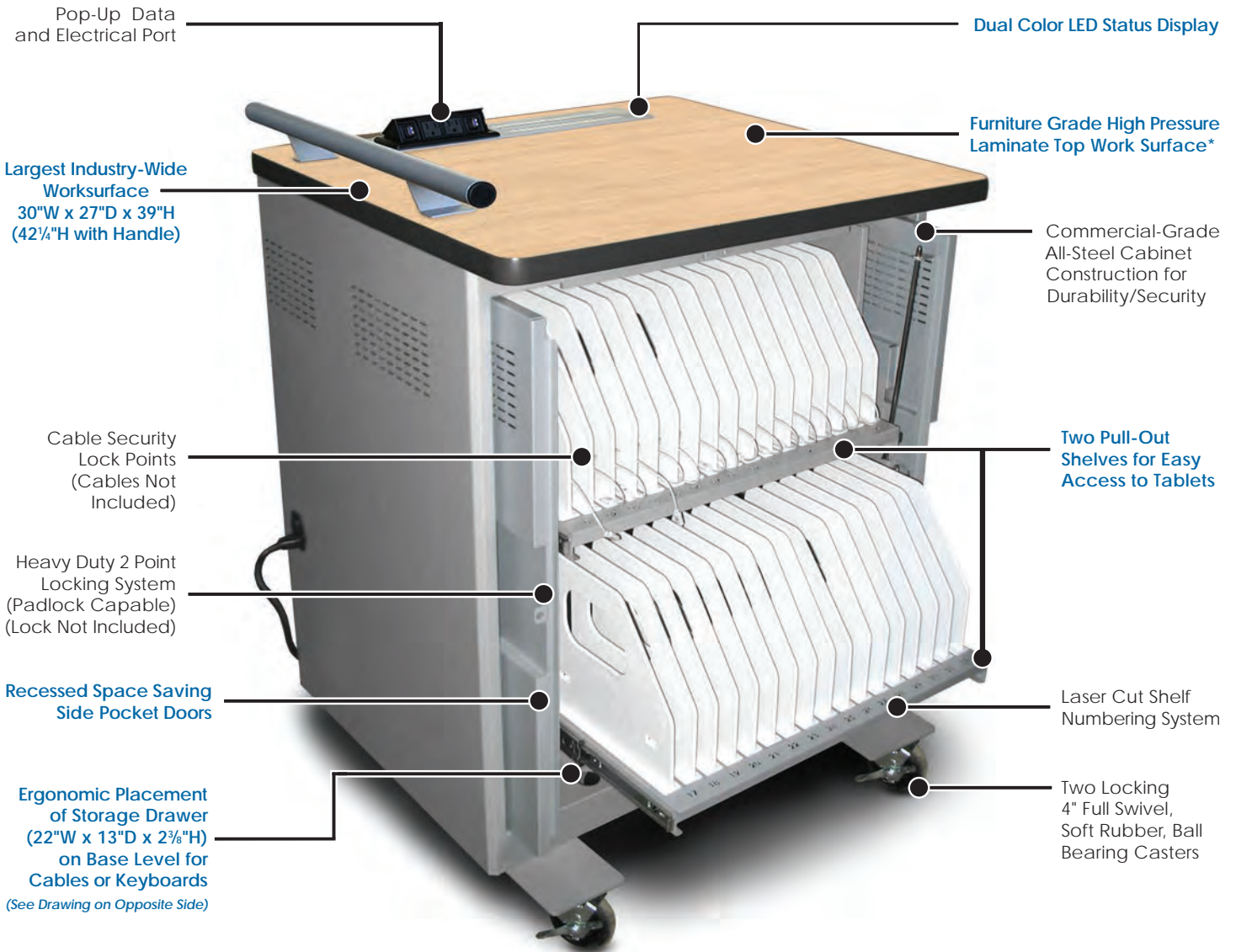
MVWSC3027KMST Charge Sync Cart for iPad®



UL Electrical and Tip Test Approved
No Assembly Required



Features Below in Blue are Exclusive to Marvel® Power Center Series Carts



*Available in Kensington Maple/Silver - Qty 1-10 - 2 Weeks, Qty 10-15 - 3 Weeks.
All Other Laminate/Finish Combinations have a 4-Week Lead Time.
Color Matching / Custom Finishes may be Available (4-Week Lead Time, Upcharge Applies. Call for Details).



Power Center Series – Charge Sync Cart (for iPad®)



LED Status Display – Shows The State of Each Charging Device



Cable Security Lock Points and Laser Cut Numbering System



Heavy Duty 2-Point Locking System (Padlock Capable)

Product Description

The Marvel Power Center Charge Sync Cart Incorporates Functionality with Style for Up to 32 iPad Tablets*. Manufactured from Steel for Security and Durability, the Marvel Power Center Charge Sync Cart is Available in Kensington Maple/Silver.

Features

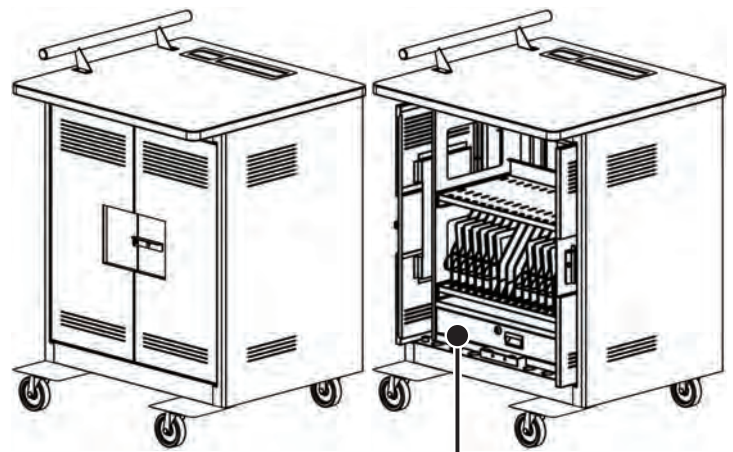
- Charges and Syncs Up to 32 iPad or iPad mini™ Tablets*
- Ample Wide Slots – 1"W x 10.88"D x 10"H
- Charges at a Rate of Up to 2.1 Amps to each iPad
- AC: Maximum Draw AC 5.5A

Syncs iPads in Seconds

- System Requirements: Mac Latest OSX
- Syncs Up to 32 Units per Sync
- When Connected to Mac the Cart Automatically Switches Over to Data Transfer Mode for Simultaneous Syncing

32 Dual Color Individual Status LEDs that Display Charging and Sync Status of all Your Devices

- Steady Amber = Charging; Steady Green = Charged; Flashing Amber = Sync (USB connected to MAC)
- Wire Cable Management System
- Power Rating: Input AC 100-12V, 50/60Hz
Output USB 2 Ports DC 5V, 2.1A
- Twin External Power Outlets AC 100-120V, 50/60Hz 1.5A Max
- UL Listed (Standard UL E475174)
- Ships Fully Assembled
- Weight = 240lbs.
- Shipping Weight = 260lbs.
- Three Year Limited Warranty on Electrical Components and 15 Year Limited Warranty on Cart Mechanicals
- GreenGuard® Gold Certified
- Made In America



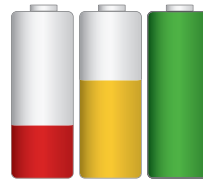
22"W x 13"D x 2¾"H Storage Drawer on Base Level

*Sync compatibility: iPad®4, iPad Air®, iPad Air® 2, iPad Mini™, iPad Mini™ 2. Tablets and Cables not included.



American Filing Solutions
 P.O. Box 891719, Temecula CA 92589
 Tel: 1-951-694-4150 or 1-888-891-1970
 Fax: 1-951-506-7717 or 1-888-891-9970
 Email: sales@FilingToday.com
 www.FilingToday.com





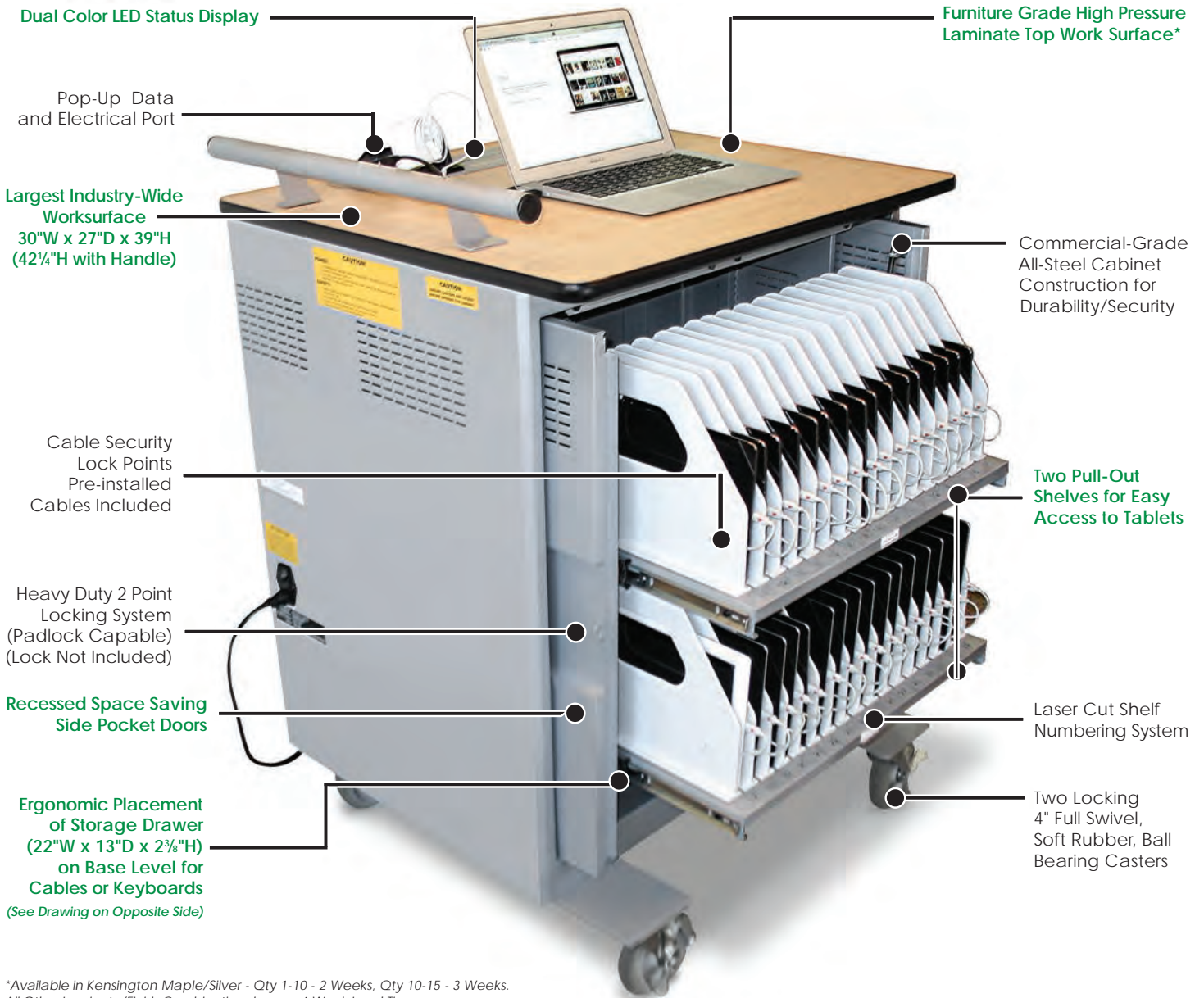
MVWSC3027KMST-W Charge Sync Cart for iPad



Cables Included and Installed
UL Electrical and Tip Test Approved
Ships Assembled



Features Below in Green are Exclusive to Marvel Power Center Series Carts



Dual Color LED Status Display

Furniture Grade High Pressure Laminate Top Work Surface*

Pop-Up Data and Electrical Port

Largest Industry-Wide Worksurface
30"W x 27"D x 39"H
(42 1/4"H with Handle)

Commercial-Grade All-Steel Cabinet Construction for Durability/Security

Cable Security Lock Points
Pre-installed Cables Included

Two Pull-Out Shelves for Easy Access to Tablets

Heavy Duty 2 Point Locking System (Padlock Capable) (Lock Not Included)

Laser Cut Shelf Numbering System

Recessed Space Saving Side Pocket Doors

Two Locking 4" Full Swivel, Soft Rubber, Ball Bearing Casters

Ergonomic Placement of Storage Drawer (22"W x 13"D x 2 3/8"H) on Base Level for Cables or Keyboards (See Drawing on Opposite Side)

*Available in Kensington Maple/Silver - Qty 1-10 - 2 Weeks, Qty 10-15 - 3 Weeks.
All Other Laminate/Finish Combinations have a 4-Week Lead Time.
Color Matching / Custom Finishes may be Available (4-Week Lead Time, Upcharge Applies. Call for Details).



Power Center Series – Charge Sync Cart (for iPad®)



LED Status Display – Shows The State of Each Charging Device



Cable Security Lock Points and Laser Cut Numbering System



Heavy Duty 2-Point Locking System (Padlock Capable)

Product Description

The Marvel Power Center Charge Sync Cart Incorporates Functionality with Style for Up to 32 iPad Tablets*. Manufactured from Steel for Security and Durability, the Marvel Power Center Charge Sync Cart is Available in Kensington Maple/Silver.

Features

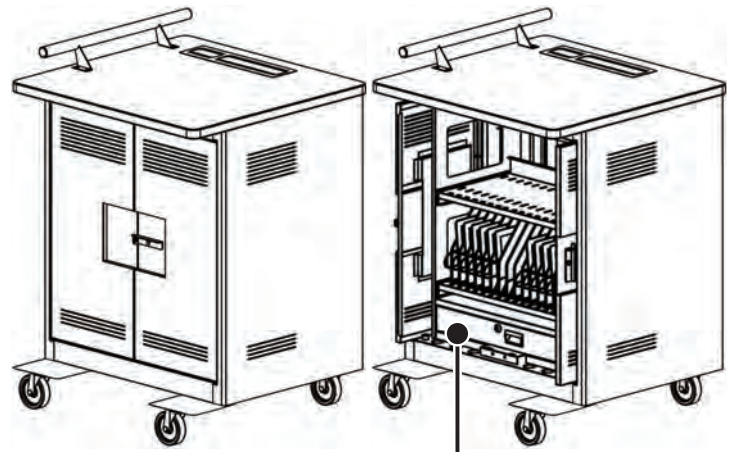
- Charges and Syncs Up to 32 iPad or iPad mini™ Tablets*
- Ample Wide Slots – 1"W x 10.88"D x 10"H
- Charges at a Rate of Up to 2.1 Amps to each iPad
- AC: Maximum Draw AC 5.5A

Syncs iPads in Seconds

- System Requirements: Mac Latest OSX
- Syncs Up to 32 Units per Sync
- When Connected to Mac the Cart Automatically Switches Over to Data Transfer Mode for Simultaneous Syncing

32 Dual Color Individual Status LEDs that Display Charging and Sync Status of all Your Devices

- Steady Amber = Charging; Steady Green = Charged; Flashing Amber = Sync (USB connected to MAC)
- Pre-Installed USB Lightning Cables for Out of Carton Immediate Use
- Wire Cable Management System
- Power Rating: Input AC 100-120V, 50/60Hz
Output USB 2 Ports DC 5V, 2.1A
- Twin External Power Outlets AC 100-120V, 50/60Hz 1.5A Max
- UL Listed (Standard UL E475174)
- Ships Fully Assembled
- Weight = 240lbs.
- Shipping Weight = 260lbs.
- Three Year Limited Warranty on Electrical Components and 15 Year Limited Warranty on Cart Mechanicals
- GreenGuard® Gold Certified
- Made In America



22"W x 13"D x 2 3/8"H Storage Drawer on Base Level

*Sync compatibility: iPad®4, iPad Air®, iPad Air® 2, iPad Mini™, iPad Mini™ 2. Tablets not included.



American Filing Solutions
 P.O. Box 891719, Temecula CA 92589
 Tel: 1-951-694-4150 or 1-888-891-1970
 Fax: 1-951-506-7717 or 1-888-891-9970
 Email: sales@FilingToday.com
 www.FilingToday.com



The Marvel Group is not affiliated with Apple Inc. iPad and all other Apple product names are trademarks or registered trademarks of Apple Inc. All other company and product names are trademarks or registered trademarks of their respective companies.