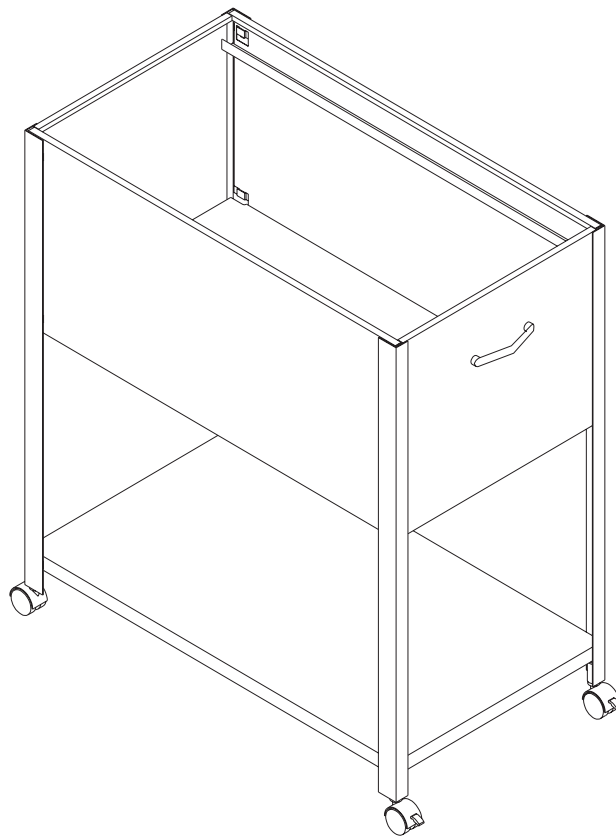


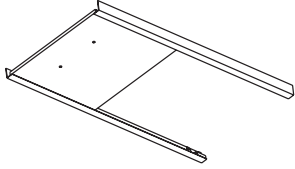
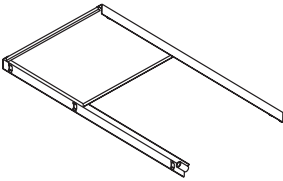
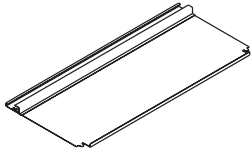
Model No. 9P600

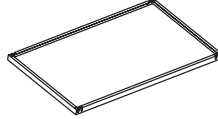
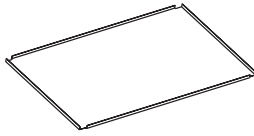








MOBILIZER OPEN FILE LETTER

ASSEMBLY INSTRUCTIONS

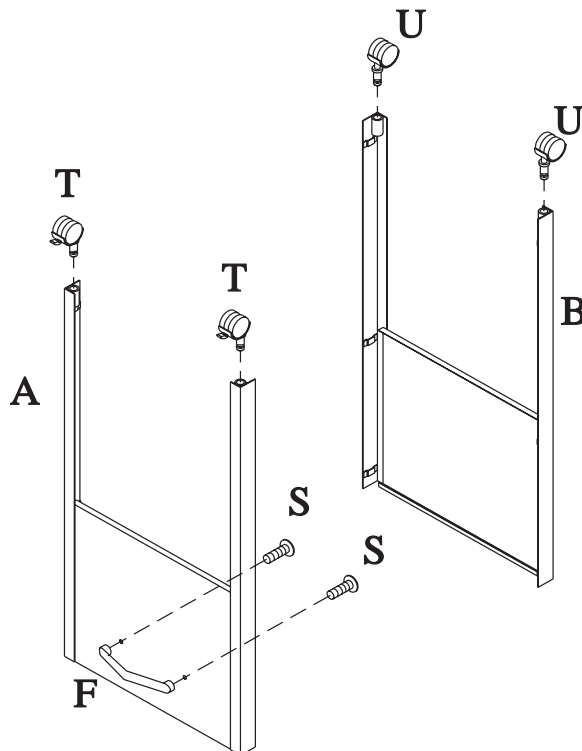
PARTS LIST

Name	Part	Qty.
A		1
B		1
C		2

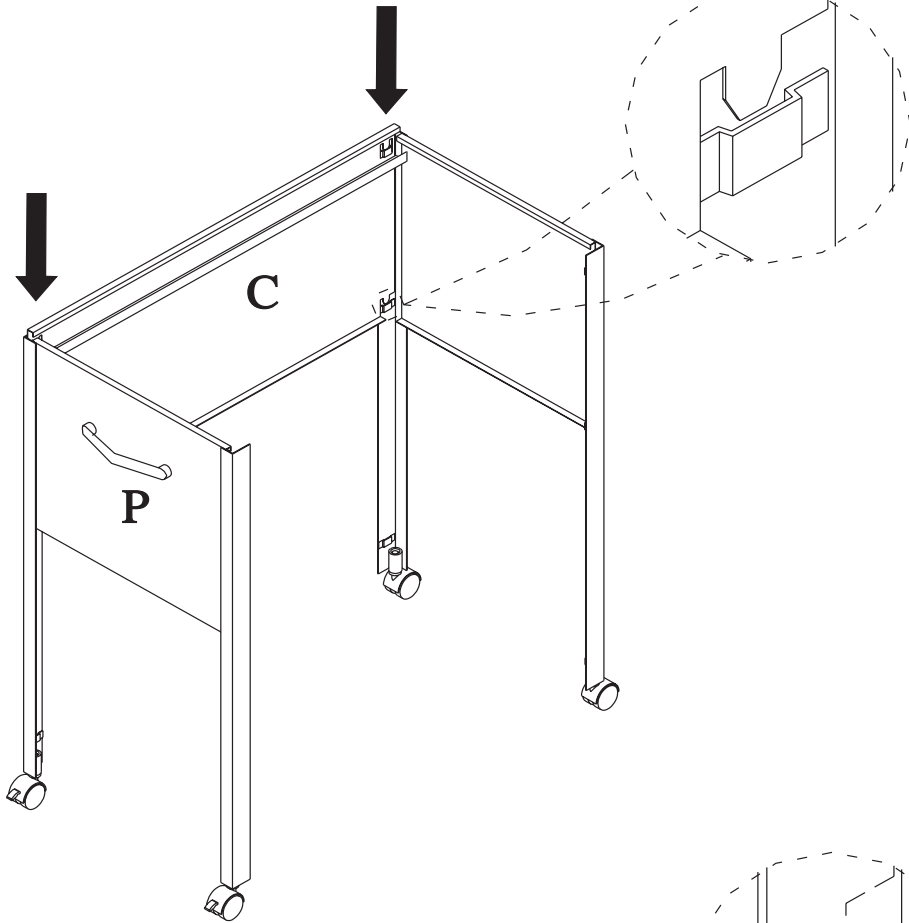
Name	Part	Qty.
D		1
E		1
P		1
T		2
U		2
S		3

	M4 5	
---	------	---

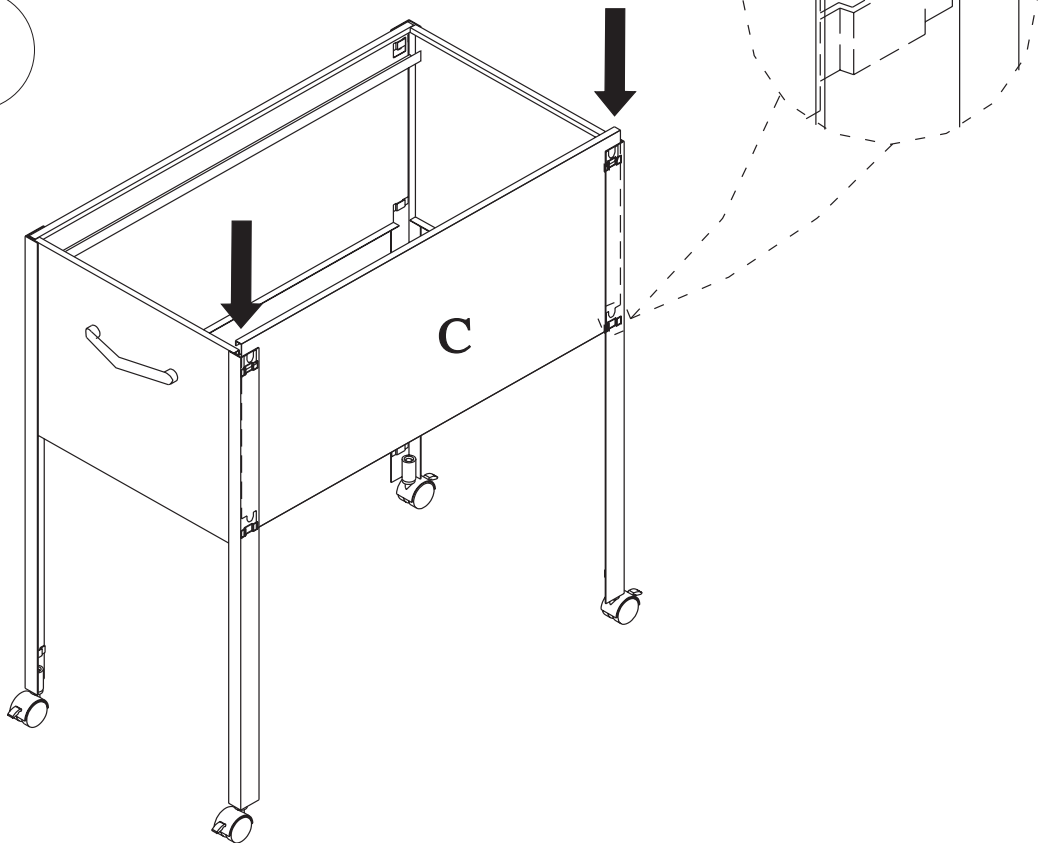
1



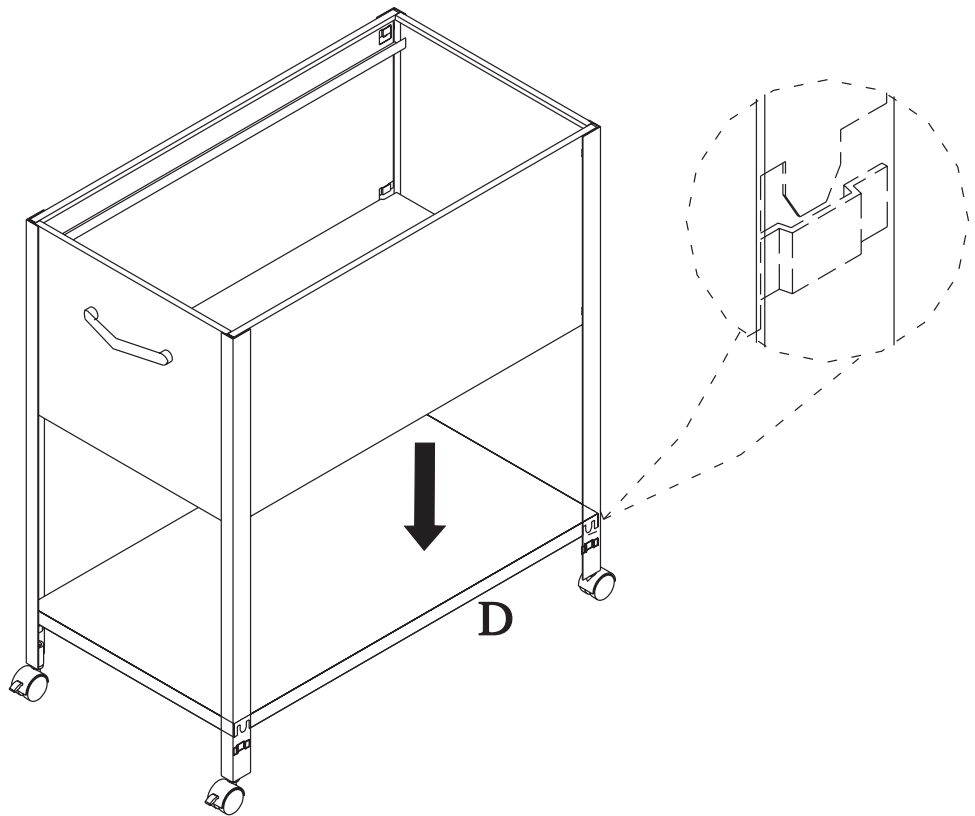
2



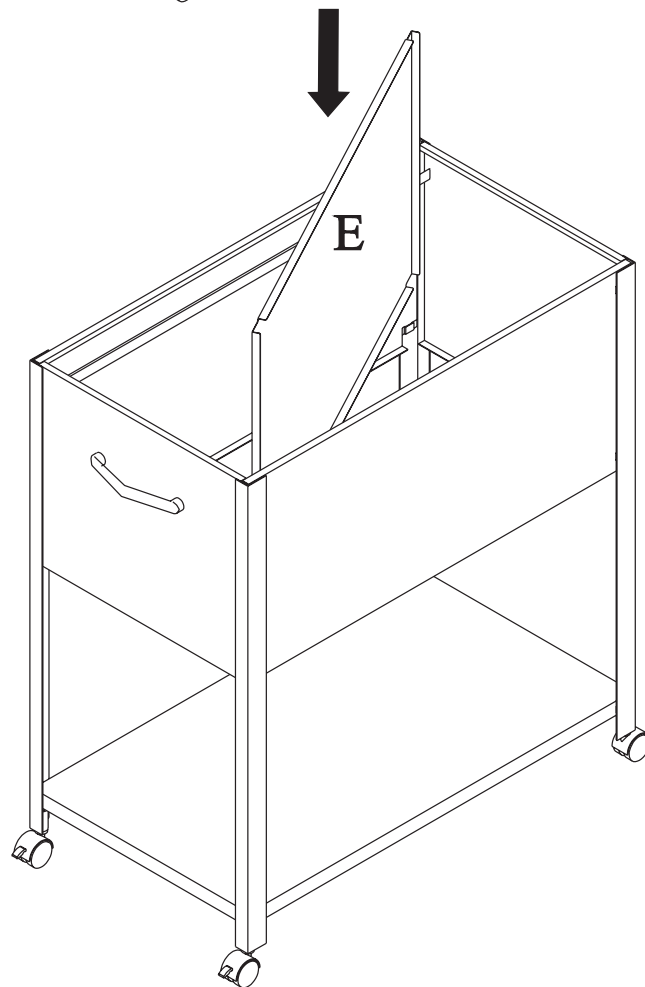
3



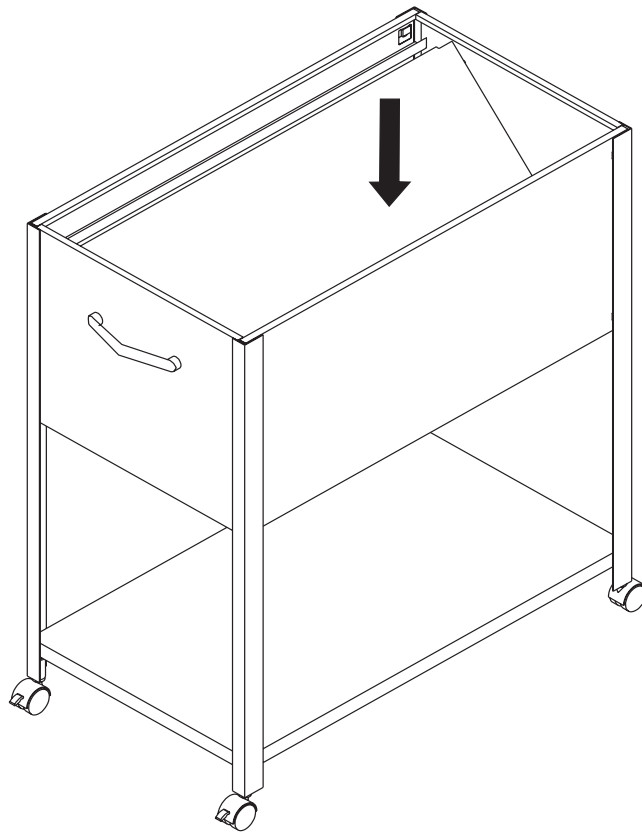
4



5



6



7

